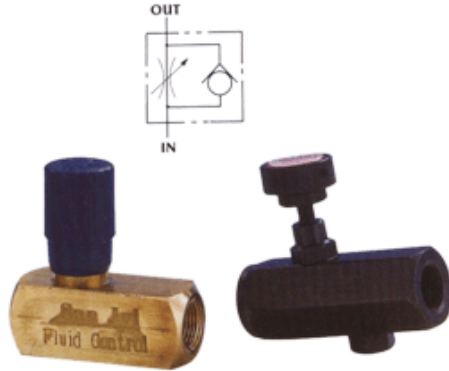




Flow Control Valves



HOW TO ORDER

KC	03
SERIES NUMBER	VALVE SIZE

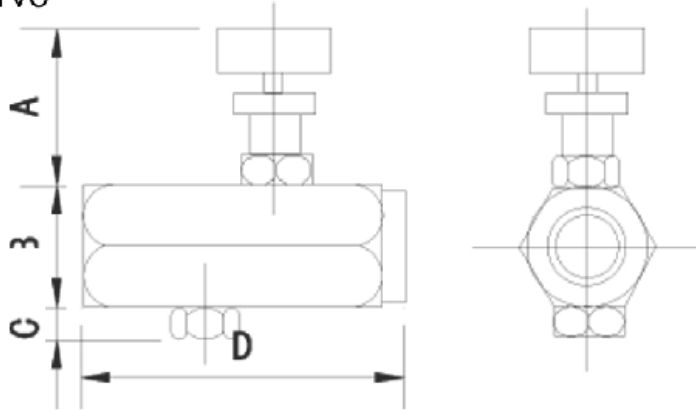
SPECIFICATION

MODEL	ALLOWED BACK PRESSURE (kgf/cm ²)	RATED FLOW t/min	WEIGHT (kg)
KC-02	250	20	0.3
KC-03	250	30	0.3
KC-04	250	40	0.5
KC-06	250	50	0.8
KCF-02	210	20	3.3
KCF-03	210	30	3.3



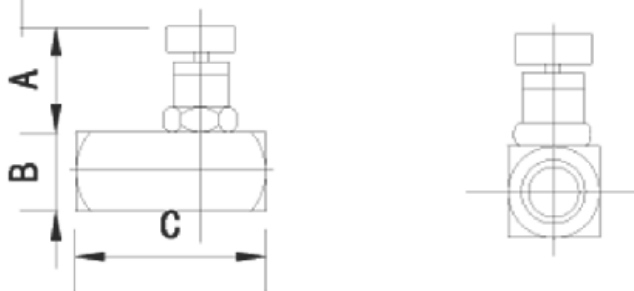
⇨ SIZE KC-02

TVC



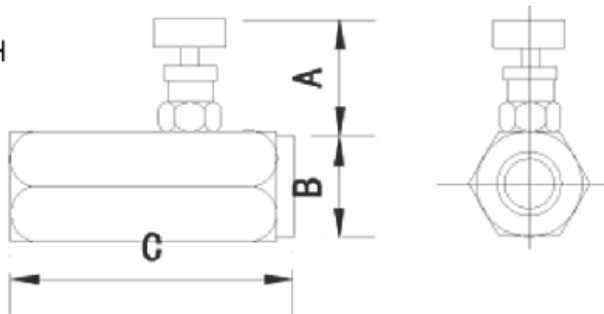
型號	通徑	A	B	C	D
TVC-02	1/4"	37	23	7	62
TVC-03	3/8"	40	26		70
TVC-04	1/2"	42	32	10	81
TVC-06	3/4"	46	41	12	92

TVL



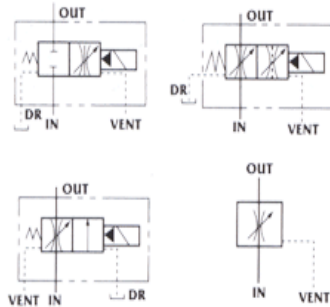
型號	通徑	A	B	C
TVL-03	3/8"	44	26	65
TVH-03	3/8"	44	26	65
TVH-04	1/2"	44	38	100

TVH





Solenoid Operated Speed Control Valves



HOW TO ORDER

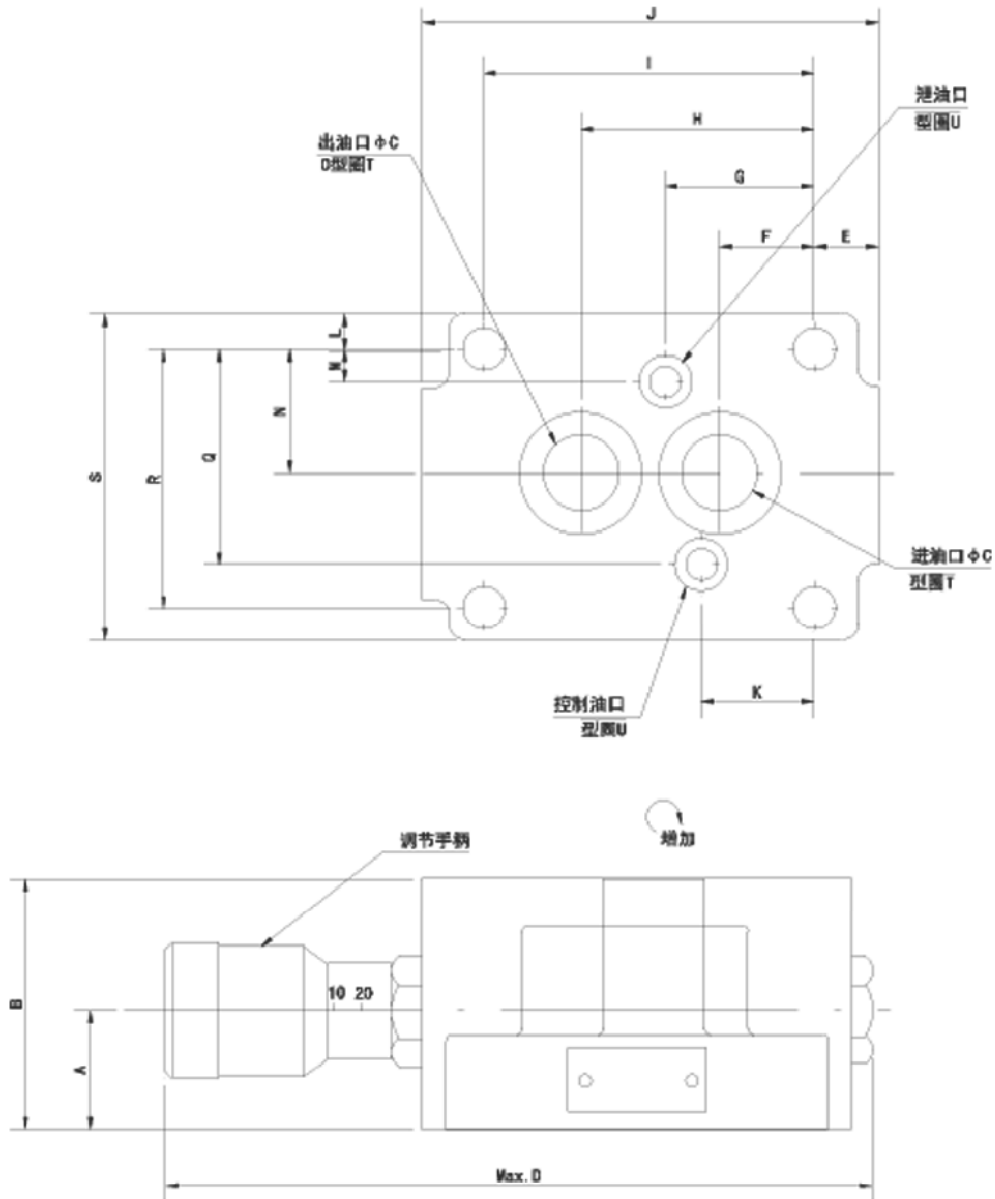
THF	06
SERIES NUMBER	VALVE SIZE

SPECIFICATION

MODEL	ALLOWED BACJ PRESSURE (kgf/cm ²)	RATED FLOW t/min	WEIGHT (kg)
THF-06	250	120	5.7
THF-10	250	240	8.7
SF-06	250	120	5.7
SF-10	250	240	8.7
SDF-06	250	120	5.7
SDF-10	250	240	8.7
SKF-06	250	120	6.2
SKF-10	250	240	9.2



SIZE THF-06, 10

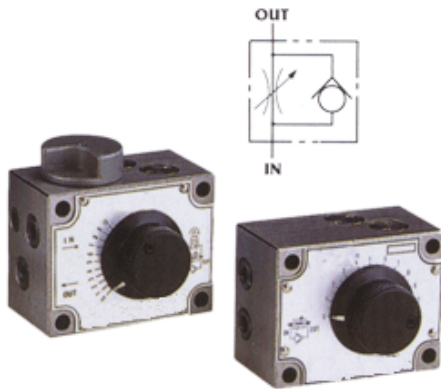


型號	A	B	C	D	E	F	G	H	I	J
THF-06	35	75	24	212	17.5	26	40.5	64	90	125
THF-10	40	86	29	250	19	34	47	78	112	150

型號	K	L	M	N	Q	R	S	T	U
THF-06	31.7	10.5	9.6	37	63	74	95	P28	P12
THF-10	37.9	14.5	16	43	76	86	115	P34	P12



Flow Control Valves



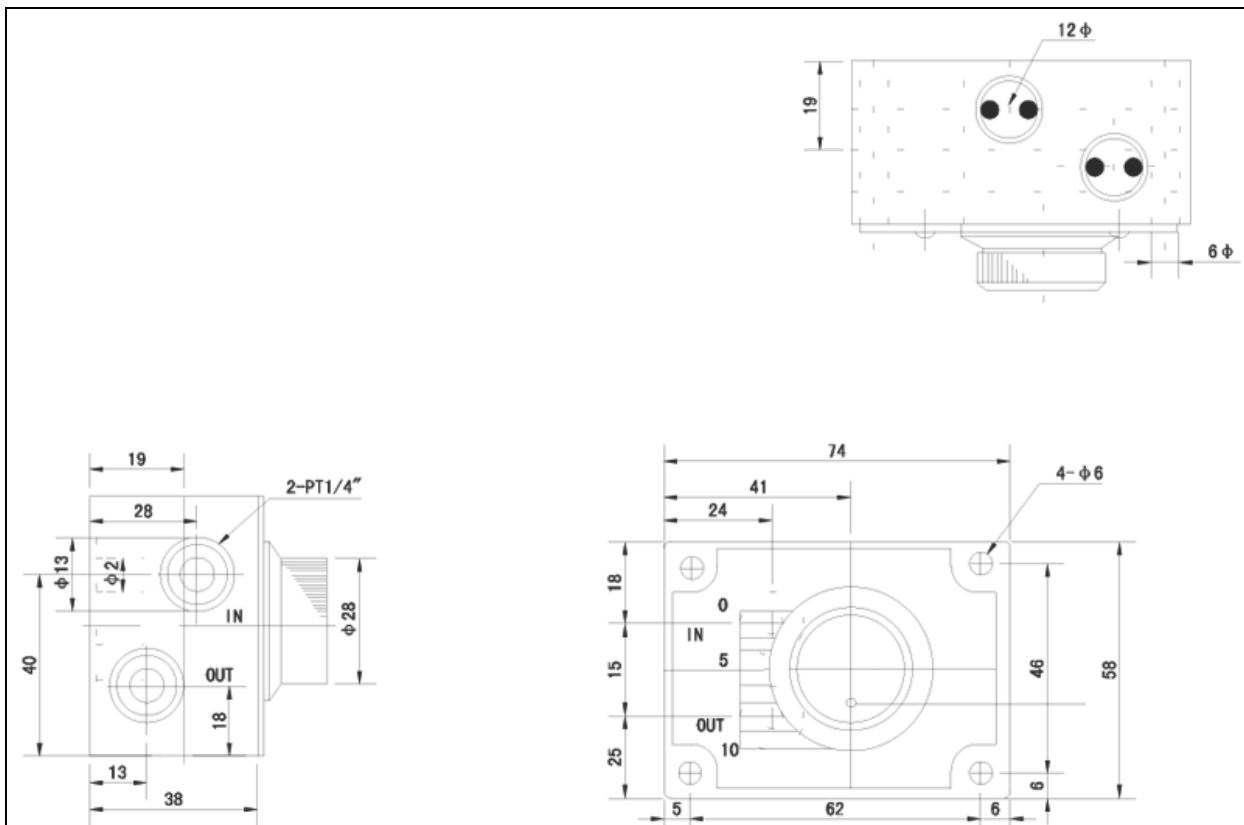
HOW TO ORDER

FNC	02
SERIES NUMBER	VALVE SIZE

SPECIFICATION

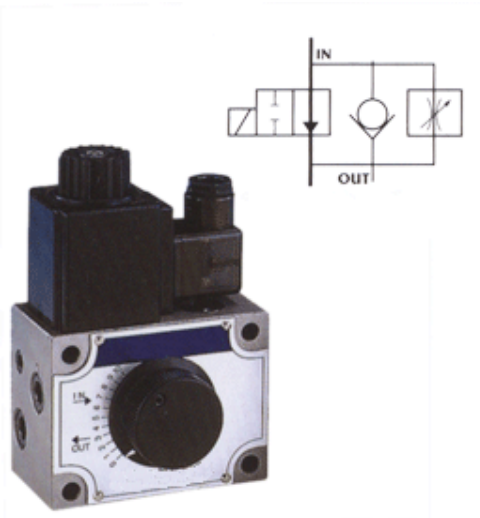
MODEL	ALLOWED BACJ PRESSURE (kgf/cm ²)	WITHIN FLOW RATE ADJUSTING. t/min	FREE FLOW t/min	WEIGHT (kg)
FNC-02	70	0.01-4	20	1.2
FNC-02	70	0.01-8	30	1.9
FKC-02	70	0.01-4	20	1.2
FKC-03	70	0.01-8	30	1.9
FYC-02	70	0.01-4	20	1.2

SIZE FNC-02





Flow Solenoid Control Valves



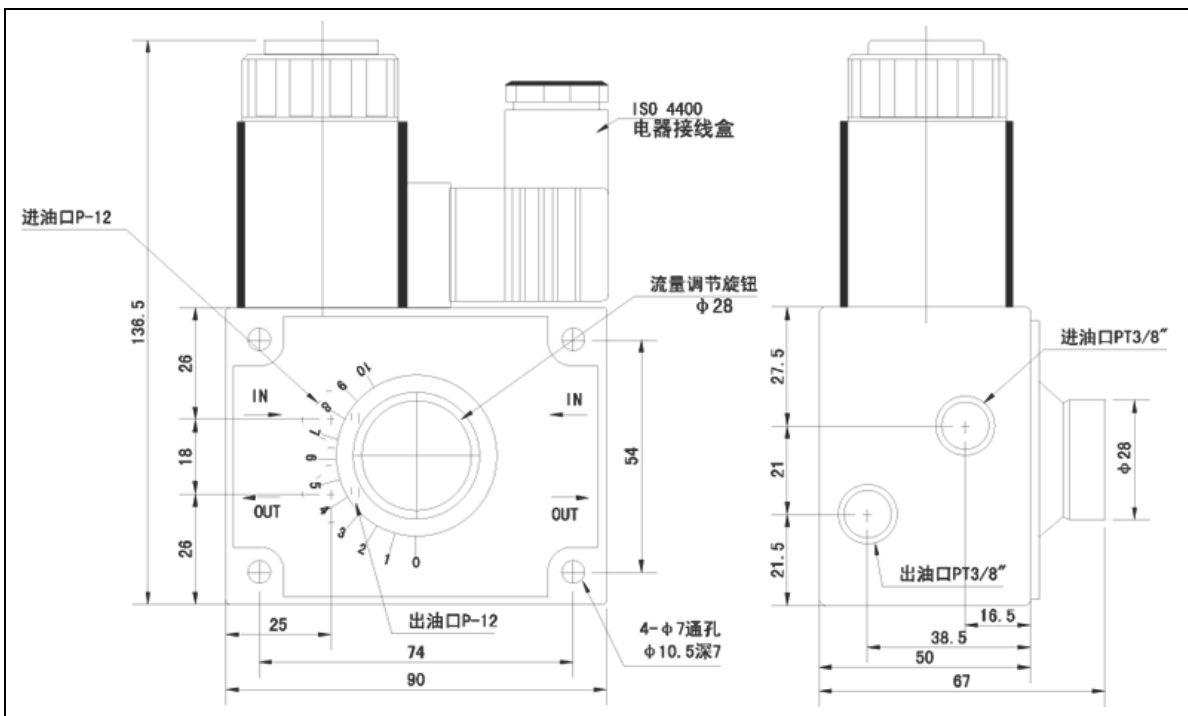
HOW TO ORDER

FSC	02	A2
SERIES NUMBER	VALVE SIZE	SOLENOID TYPE A1:AC 110V A2:AC 220V D1:DC 12V D2:DC 24V

SPECIFICATION

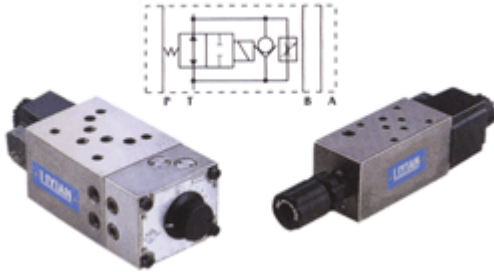
MODEL	ALLOWED BACJ PRESSURE (kgf/cm ²)	WITHIN FLOW RATE ADJUSTING t/min	FREE FLOW t/min	WEIGHT (kg)
FSC-02	70	0.01-4	20	1.9
FSC-03	70	0.01-8	30	2.6

SIZE FNC-03





Laminated Flow Solenoid Valves



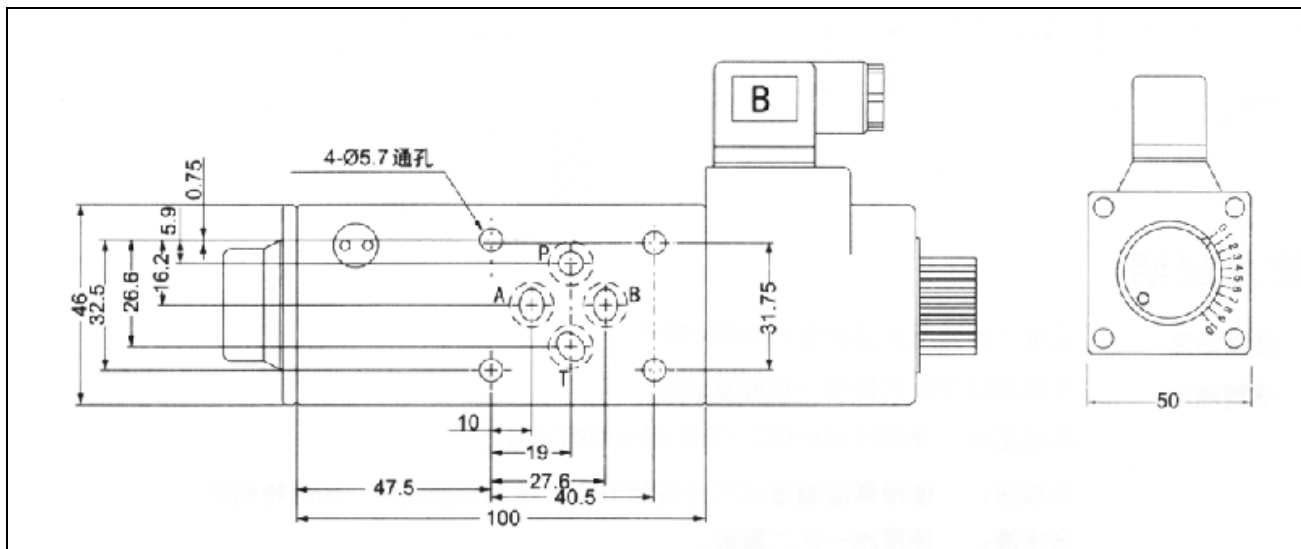
HOW TO ORDER

FSC	02	A2
SERIES NUMBER	VALVRE SIZE	SOLENID TYPE A1:AC 110V A2:AC 220V D1:DC 12V D2:DC 24V

SPECIFICATION

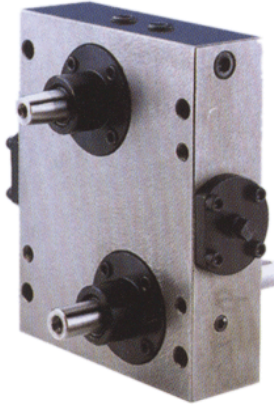
MODEL	ALLOWED BACJ PRESSURE (kgf/cm2)	WITHIN FLOW RATE ADJUSTING. t/min	FREE FLOW t/min	WEIGHT (kg)
MFSC-02	70	0.01-6	30	2.0
MFSC-03	70	0.01-8	60	4.4

SIZE MFSC-02





Surface Grindes Valves



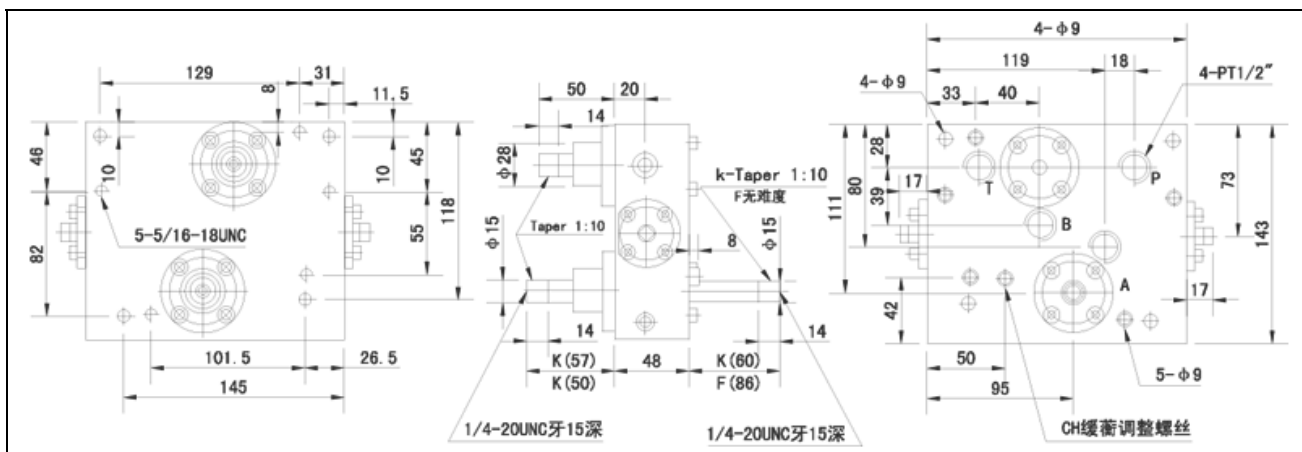
HOW TO ORDER

03-020
SERIES NUMBER

SPECIFICATION

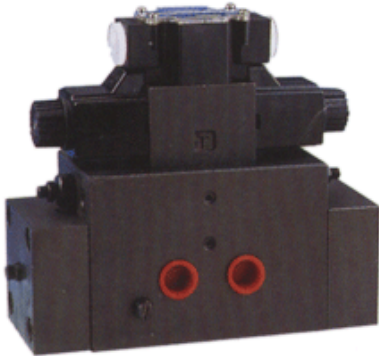
MODEL	RATED FLOW t/min	ALLOWED BACJ PRESSURE (kgf/cm ²)	RECOMMENDED MACHINE TYPE
03-20	20	70	250*500
03-25	30	70	300*600
04-25	40	70	400*800

SIZE 04-25





Surface Grindes Solenoid Valves



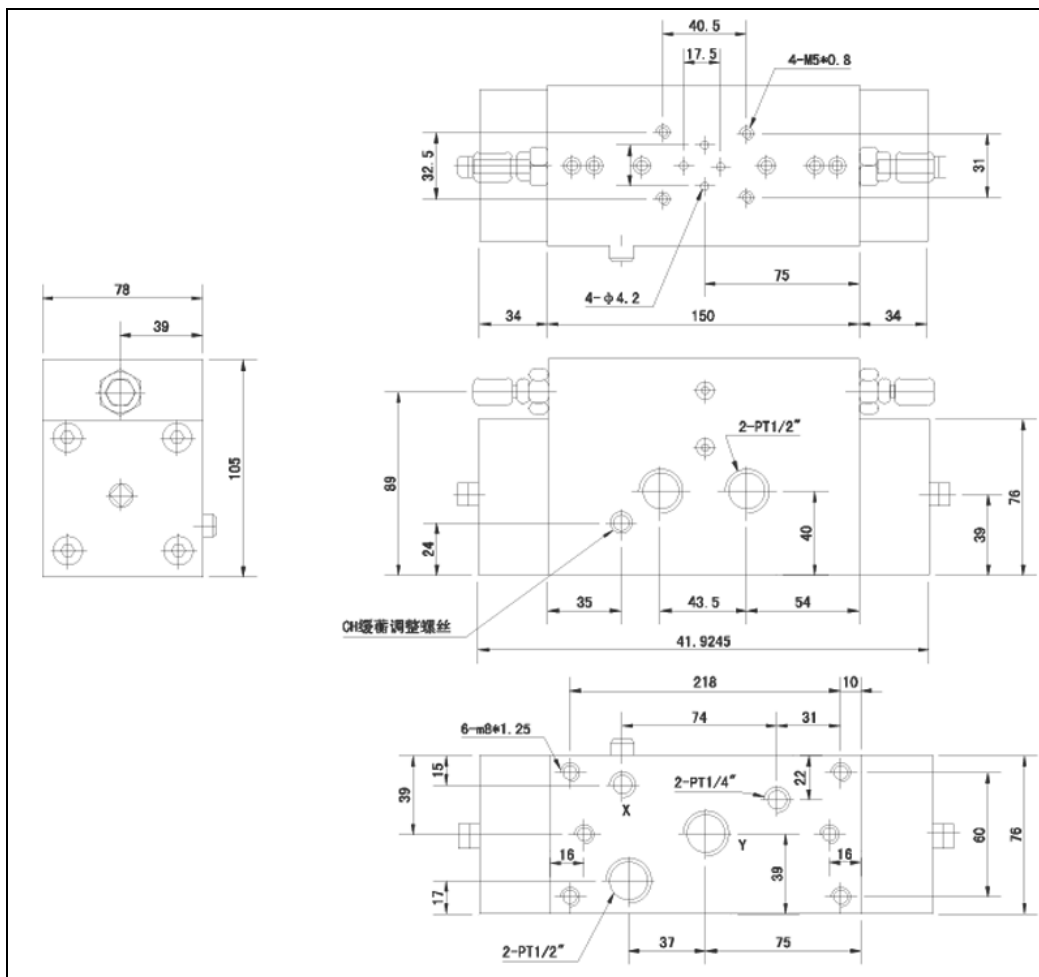
HOW TO ORDER

SOL	04
SERIES NUMBER	VALVE SIZE

SPECIFICATION

MODEL	RATED FLOW t/min	ALLOWED BACJ PRESSURE (kgf/cm ²)	RECOMMENDED MACHINE TYPE
SOL-04	30	70	300*600
SOL-06	45	70	500*1000

SIZE SOL-04





Direct Operated Relief Valves (Remote Control)



HOW TO ORDER

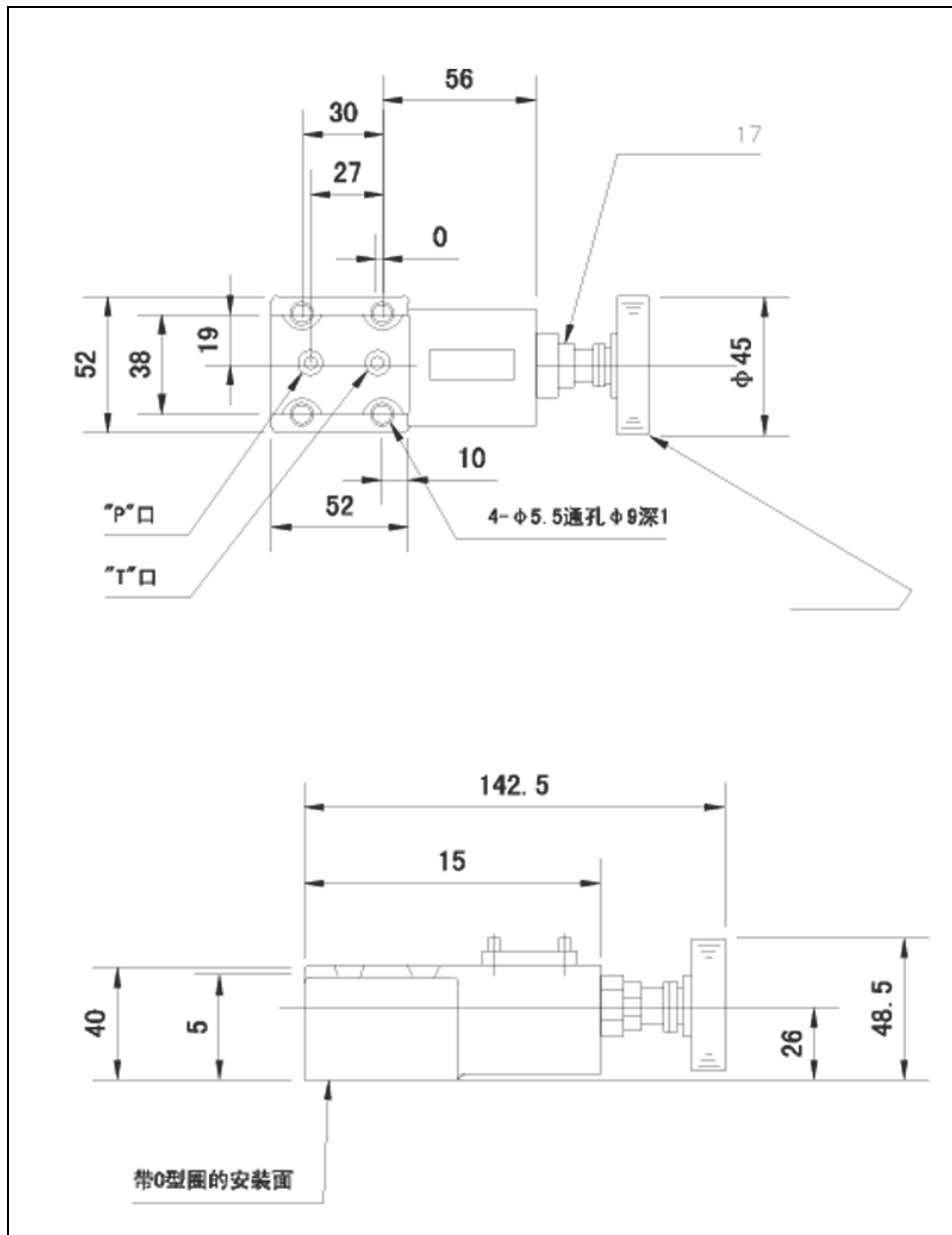
D	G	01	B
SERIES NUMBER	TYPE OF CONNECTION G:SUB-PLATE TYPE T:THREADED TYPE	VALVE SIZE 01:REMOTE CONTROL 02:MINI REUEF.	PRESSURE ADJ. RANGE

SPECIFICATION

MODEL		PRESSURE ADJ. RANGE (kgf/cm ²)	RATED FLOW t/min	WEIGHT(kg)
SUB-PLATE TYPE	THREAD TYPE			
DG-01	DT-01	B:10-70	2	1.0
DG-02	DT-02	C:35-140 H:70-210	1.6	1.6

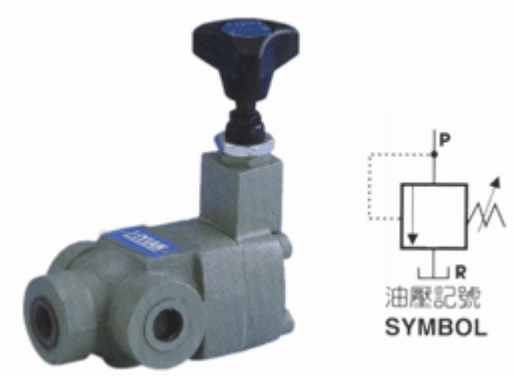


SIZE DG-01





Pilot Operated Relief Valves



HOW TO ORDER

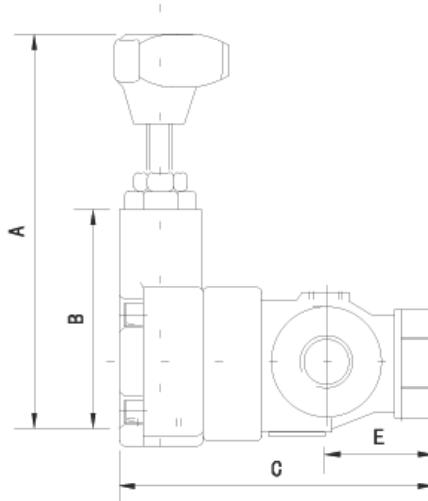
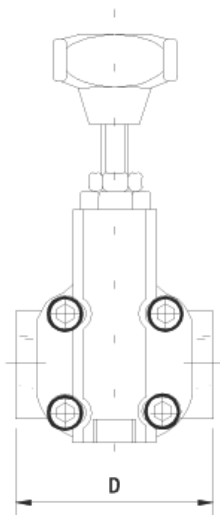
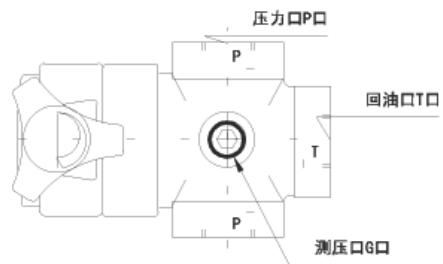
RV	T	04	B
SERIES NUMBER	TYPE OF CONNECTION T:THREADED TYPE	VALVE SIZE	PRESSURE ADJ. RANGE

SPECIFICATION

MODEL	PRESSURE ADJ. RANGE (kgf/cm ²)	RATED FLOW t/min	WEIGHT(kg)
THREAD TYPE			
RVT-04	B:10-70	60	2.4
RVT-06	C:35-140	120	4.0
RVT-10	H:70-250	200	7.0

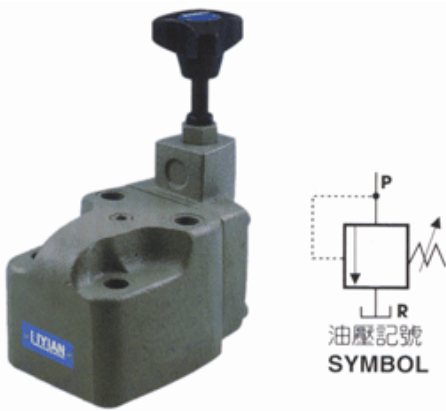
SIZE RVT-04

型號	A	B	C	D	E	P口	T口	G口
BHT-04	MAX.142	92	111	84.5	42	PT1/2"	PT1/2"	PT1/4"
BHT-06	MAX.148	102	140	103	51	PT3/4"	PT3/4"	PT1/4"
BHT-10	MAX.141	120	183	130	68	PT1-1/4"	PT1-1/4"	PT1/4"





Pilot Operated Relief Valves



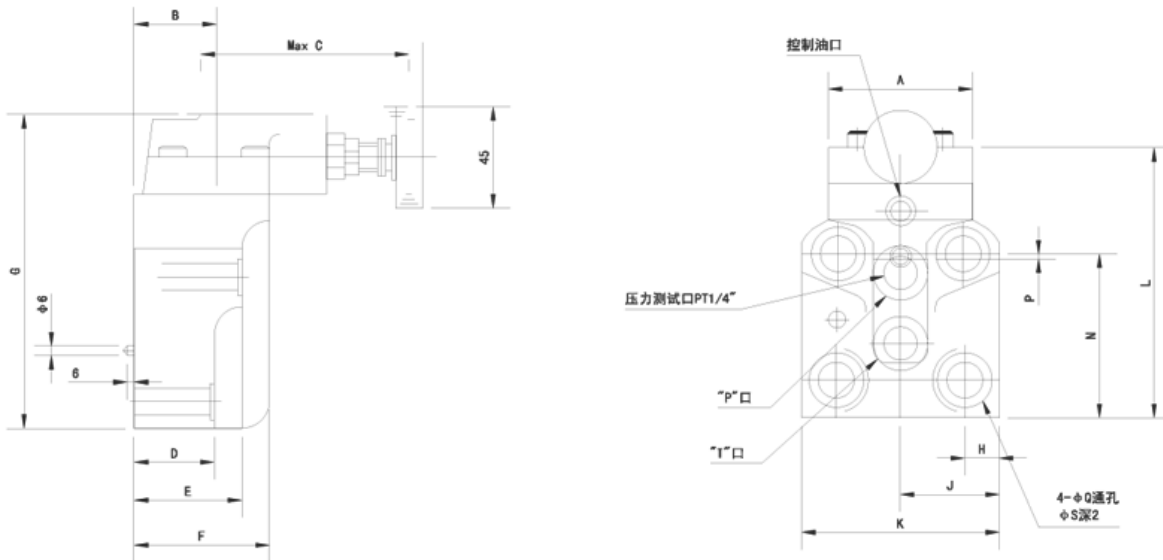
HOW TO ORDER

B	G	06	B
SERIES NUMBER	TYPE OF CONNECTION G: THREADED TYPE	VALVE SIZE	PRESSURE ADJ. RANGE

SPECIFICATION

MODEL SUB-PLATE TYPE	PRESSURE ADJ. RANGE (kgf/cm ²)	RATED FLOW t/min	WEIGHT(kg)
BG-03	B:10-70	60	5.0
BG-06	C:35-140	120	6.0
BG-10	H:70-250	240	11

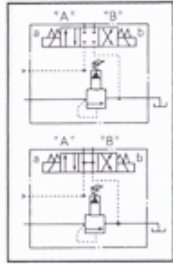
SIZE BG-03,BG-06,BG-10



型號	A	B	C	D	E	F	G	H	J	K	L	N	P	Q	S
BG-03	75	40	115	57	78	78	139	14.1	41	82	117	77	22	13.5	21
BG-06	75	40	115	40	60	78	164	17	52	104	141	83.5	4.5	17.5	26
BG-10	85	45	101	47	67	87.5	197	20.7	62	124	175	110	6	21.5	32



Pilot Operated Relief Valves



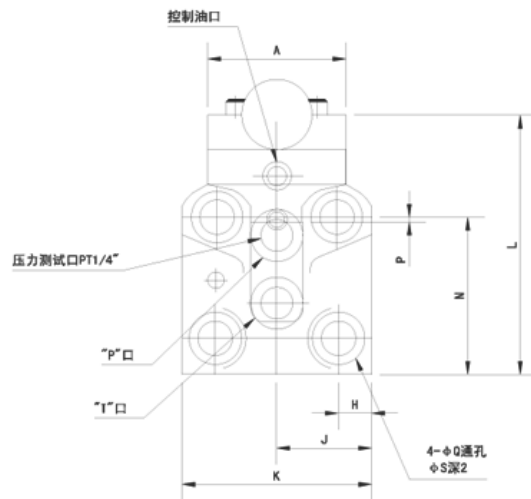
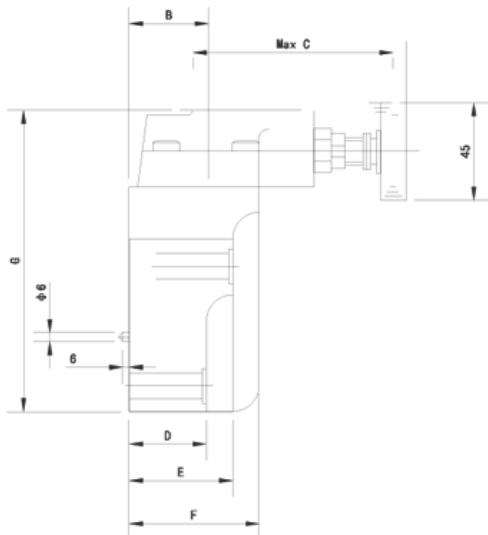
HOW TO ORDER

SB	G	06	B
SERIES NUMBER	TYPE OF CONNECTION G:THREADED TYPE	VALVE SIZE	PRESSURE ADJ. RANGE

SPECIFICATION

MODEL	MAX. Pressure kgf/cm ²	PRESSURE ADJ. RANGE kgf/cm ²	RATED FLOW l/min	Weight kgs	SIZE
SBG-03	250	B:10-70	60	4.1	
SBG-06		C:35-140	120	5.0	
SBG-10		H:70-250	240	10.5	
SBSG-03	250	1 : 7-70	100	6.3	M12×40
SBSG-06		2 : 10-140	200	7.6	M16×50
		3 : 15-210			

SIZE SBG-03,06,10



型號	A	B	C	D	E	F	G	H	J	K	L	N	P	Q	S
BG-03	75	40	115	57	78	78	139	14.1	41	82	117	77	22	13.5	21
BG-06	75	40	115	40	60	78	164	17	52	104	141	83.5	4.5	17.5	26
BG-10	85	45	101	47	67	87.5	197	20.7	62	124	175	110	6	21.5	32



Solenoid Controlled Relief Valves



HOW TO ORDER

BS	G	06	B0	A1
SERIES NUMBER	TYPE OF CONNECTION G: THREADED TYPE	VALVE SIZE	TYPE OF FUNCTIONS FOR OPTIONAL VENTING CONDITIONS	SOLKENOID TYPE A1:AC110V, A2:AC220V, A3:AC380V D1:DC12V D2:DC24V

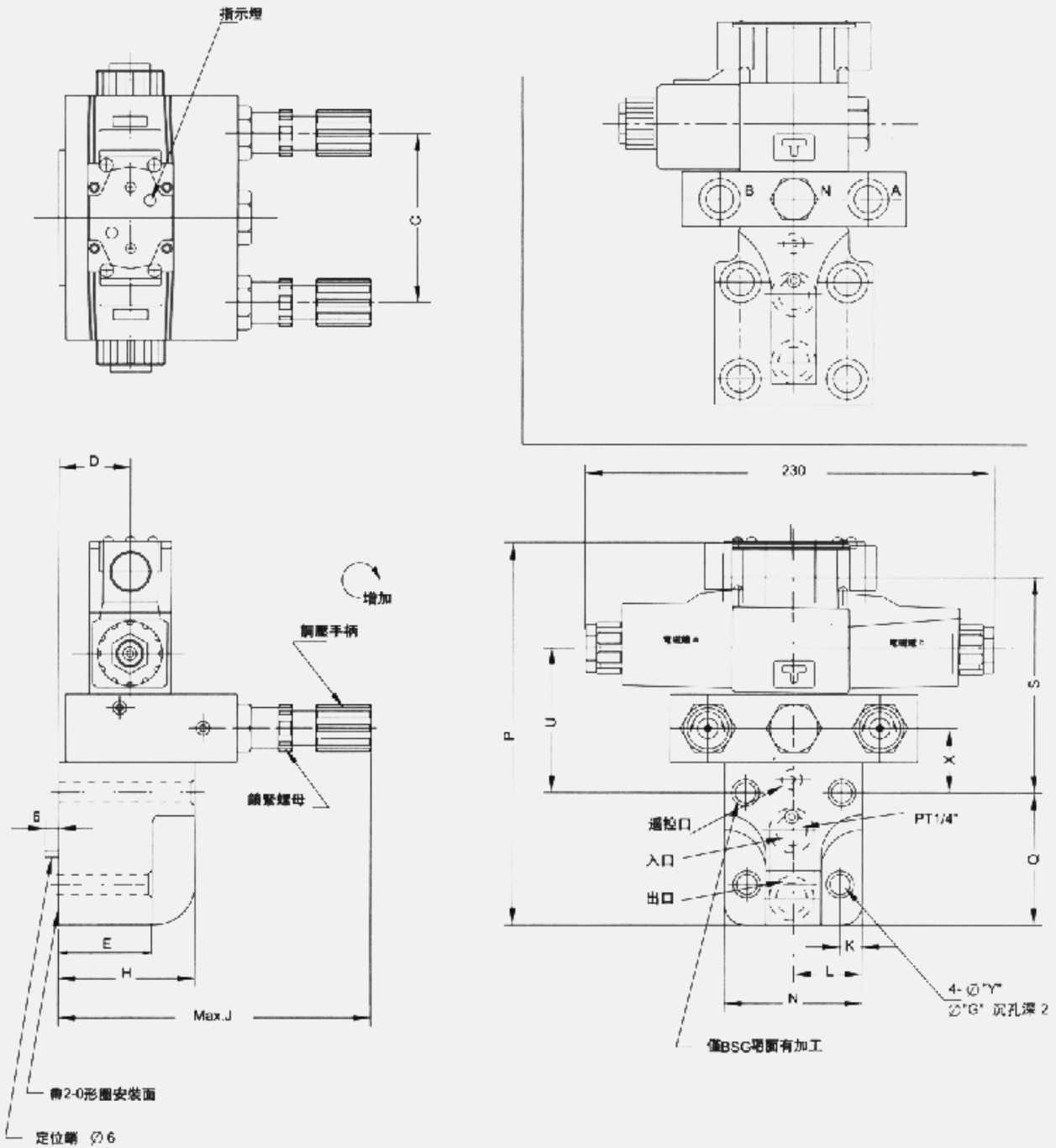
SPECIFICATION

MODEL	PRESSURE ADJ. RANGE (kgf/cm ²)	RATED FLOW t/min	WEIGHT(kg)	
SUB-PLATE TYPE			B	C
BSG-03	10-250	40	5.5	5.8
BSG-06		120	9.0	9.3
BSG-10		240	15.2	15.5
BSG-16		120	5.7	6

MODEL	marks	FUNCTIONS OF COIL & VENTINGGS		
		COIL A	COIL B	OPTIONAL VENTING CONDITIONS
B1		ON	OFF	A 孔 A PORT
			ON	TANK(UNL OADING)
B0		ON	OFF	TANK(UNL OADING)
			ON	B 孔 B PORT
BC		ON	OFF	PRESSURE FOLLOWING RELIEF
			ON	A 孔 A PORT
B2		ON	OFF	TANK(UNL OADING)
			ON	B 孔 B PORT
C2		OFF	OFF	PRESSURE FOLLOWING RELIEF
			OFF	A 孔 A PORT
C3		OFF	ON	B 孔 B PORT
			OFF	TANK(UNL OADING)
C3		OFF	OFF	A 孔 A PORT
			OFF	B 孔 B PORT



SIZE BSG-03,06,10,16



備注:1、控制方式 2B2、2B2L 為單頭電磁鐵 3C6、3C3 為雙頭電磁鐵。

型號	C	D	E	F	H	J	K	L	N	P	Q	S	U	X	Y
BSG-03	99	40	57	78	78	185	14.1	41	82	224	77	128	128	38.5	13.5
BSG-06	99	40	40	60	78	185	17	52	104	252	86	148	148	58	17.5
BSG-10	99	45	47	67	87.5	185	20.7	62	124	285	110	157	157	65	21.5



Reducing Valves



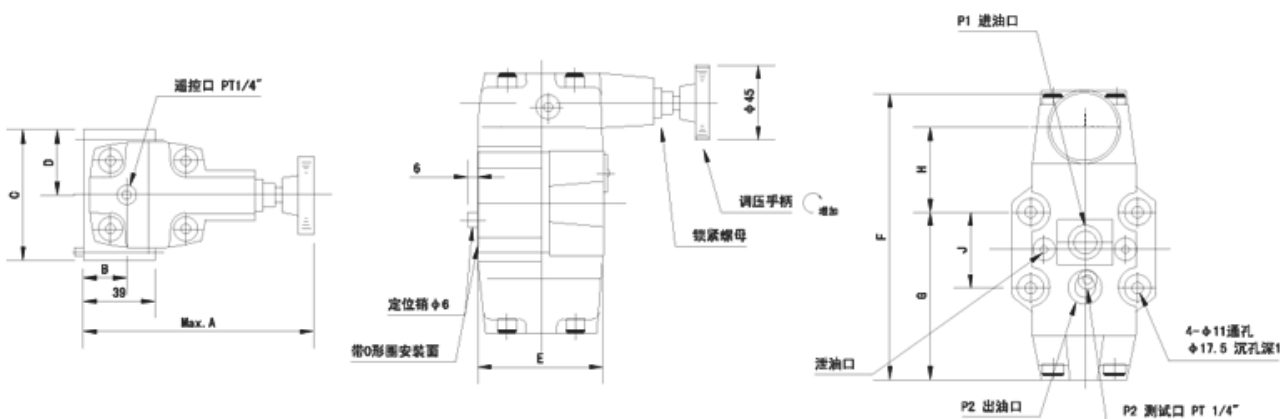
HOW TO ORDER

RC	G	03	B
SERIES NUMBER R:REDUCING RC:REDUCING ADDED TO DESIGNATED INTEGRAL CHECK	TYPE OF CONNECTION G:SUB-PLATE TYPE T:THREADED TYPE	VALVE SIZE	PRESSURE ADJ.RANGE

SPECIFICATION

MODEL		PRESSURE ADJ. RANGE (kgf/cm ²)	RATED FLOW t/min	DRAIN t/min	WEIGHT(kg)	
SUB-PLATE TYPE	THREAD TYPE					
RG-03 RCG-03	RT-03 RCT-03	B:5-70 C:35-140 H:70-210	60	0.8	4.5	4.3
RG-06 RCG-06	RT-06 RCT-06		120	1.0	6.8	6.9
RCG-10 RCG-10	RT-10 RCT-03		240	1.2	11.0	12.0
					13.8	13.8

SIZE RG-03,06



型号	A	B	C	D	E	F	G	H	J
RG-03	142	25	89	44.5	67	155.5	92.4	40.6	34.9
RG-06	141	21.5	102	51	79	179	111	40	48



Sequence Valves



HOW TO ORDER

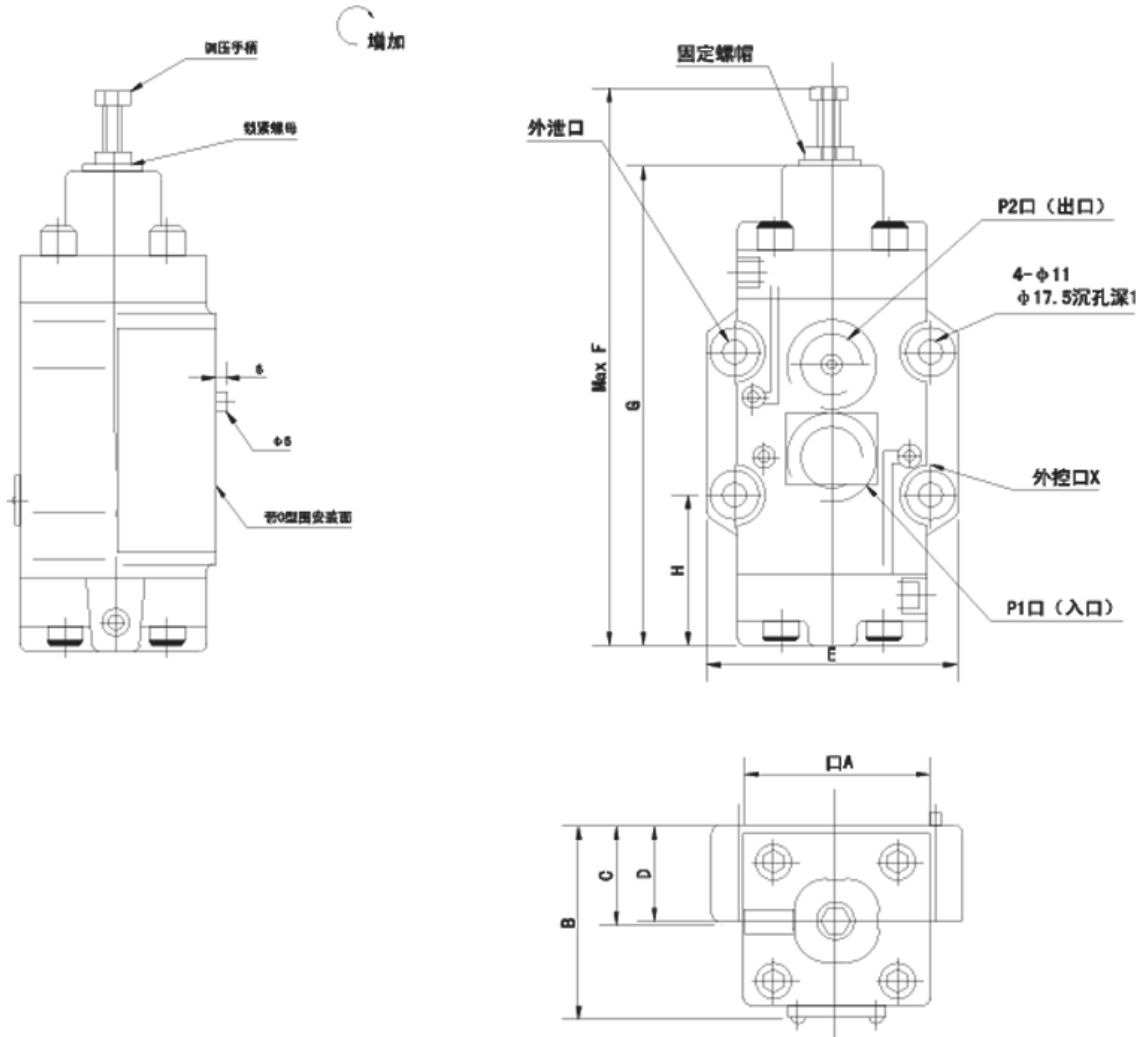
H	C	G	03	B	4
SERIES NUMBER	C:ADDED TO DESICNATE INTEGRAL CHECK	TYPE OF CONNECTION G:SUB-PLATE TYPE T:THREADED TYPE	VALVE SIZE	PRESSURE ADJ.RANGE (kg/cm ²) L:3-5 M:5-9 N:9-18 A:18-35 B:35-70 C:70-140	TYPE OF VALVE(AS TABLE)

SPECIFICATION

MODEL		PRESSURE ADJ. RANGE (kgf/cm ²)	RATED FLOW t/min	WEIGHT(kg)	
SUB-PLATE TYPE	THREAD TYPE				
HG-03 HCG-03	HT-03 HCT-03	L:3-5 M:5-9 N:9-18 A:18-35 B:35-70 C:70-140	60	4.0 4.8	3.7 4.1
HG-06 HCG-06	HT-06 HCT-06		130	6.1 7.4	6.2 7.81
HG-10 HCG-10	HT-10 HCT-10		240	11.0 13.8	12.0 13.8



SIZE HG-03,06



型号	A	B	C	D	E	F	G	H
HG-03	60	67	35	39	89	191	163	49.6
HG-06	73	79	40	39	102	221	188	51