



Oil Cooler



HOW TO ORDER

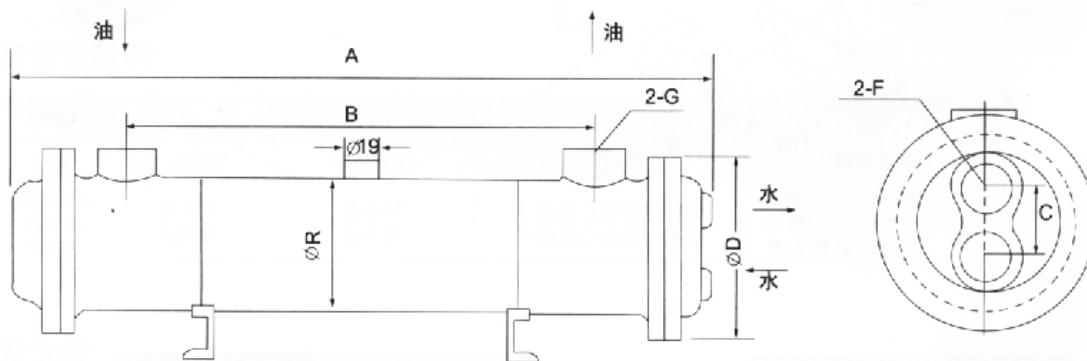
HT-60L

SERIES NUMBER

SPECIFICATION

MODEL	SIZE LxHxD	WATER PORTS	OIL PORTS	RATED FLOW t/min
OR—60L	465x120x89.1	3/4PT	3/4PT	60
OR—100L	540x120x114.3	3/4PT	3/4PT	100
OR—150L	580x170x139.8	3/4PT	1 1/4PT	150
OR—250L	800x170x139.8	3/4PT	1 1/4PT	250
OR—350L	1205x170x139.8	3/4PT	1 1/4PT	350
OR—600L	1225x196x165.2	1 1/2PT	2PT	600
OR—800L	1725x196x165.2	1 1/2PT	2PT	800
OR—1000L	2140x196x165.2	1 1/2PT	2PT	1000

SIZE OR-60L



型号	A	B	C	R	D	G	F	参考流量 (l/min)	参考重量 (Kg)
OR-60	450	305	45	89	125	3/4"	3/4"	60	8.5
OR-100	555	403	68	114	145	3/4"	3/4"	100	11.1
OR-150	575	385	85	140	175	1 1/4"	1"	150	19
OR-250	780	585	85	140	175	1 1/4"	1"	250	24
OR-350	1180	990	85	140	175	1 1/4"	1"	350	32.5
OR-600	1175	950	90	165	200	2"	1 1/4"	600	40
OR-800	1700	1490	90	165	200	2"	1 1/4"	800	54
OR-1000	2140	1890	90	165	200	2"	1 1/4"	1000	62
OR-1200	2530	2270	90	165	200	2"	1 1/4"	1200	72



Strainers



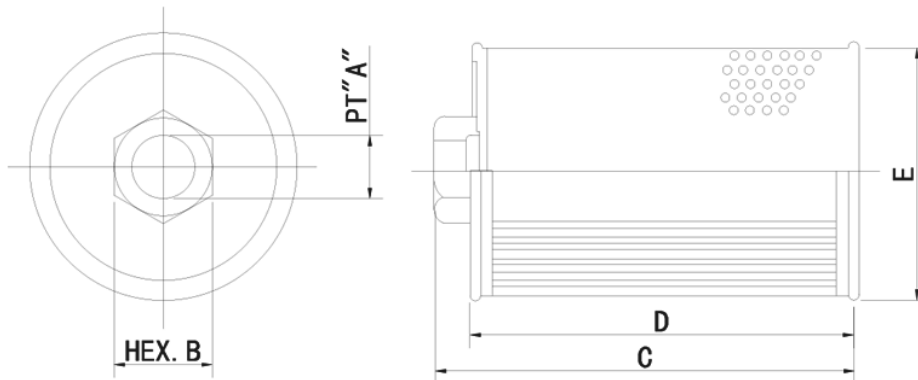
HOW TO ORDER

12
VALVE SIZE

SPECIFICATION

MODEL	d PT	FLOW t/min	FILTRTION u
MF—04	1/2PT	33	105
MF—06	3/4PT	50	105
MF—08	1PT	100	105
MF—10	1 1/2PT	180	105
MF—12	1 1/2PT	246	105
MF--16	2PT	384	105

SIZE MF



型號說明:

MF 系列號碼	-02 規格	-A 流量型式
折疊式吸油濾油器	02:1/4" 03:3/8" 04:1/2" 其他尺寸請參照"規格尺寸表"	A:中流量(標準型) B:大流量(僅有MF-04型)

規格尺寸表:

型號	流量 l/min	過濾精度 Mesh	重量 Kg	A	B	C	D	E
MF-02	15	100	0.09	1/4"	22	60	50	60
MF-03	17		0.09	3/8"	22	60	50	60
MF-04A	20		0.09	1/2"	30	60	50	60
MF-04B	33		0.12	1/2"	30	112	100	60
MF-06	55		0.14	3/4"	36	145	130	60
MF-08	110		0.19	1"	46	162	145	67
MF-10	210		0.29	1 1/4"	55	194	176	73
MF-12	285		0.40	1 1/2"	65	209	191	87
MF-16	395		0.57	2"	75	224	203	107
MF-20	750		1.14	2 1/2"	90	370	348	160
MF-24	800		1.18	3"	105	370	348	160
MF-32	1000		2.95	4"	147	365	350	210

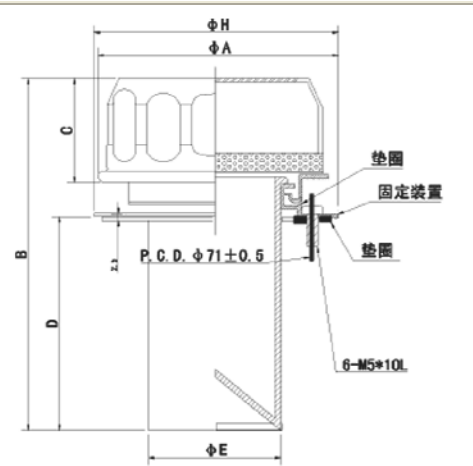


Air Breathers

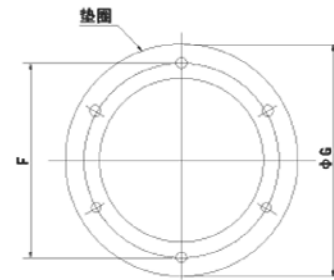


SPECIFICATION

MODEL	d PT	FLOW t/min	FILTRTION u
AB—1163	2PT	720	400
AB—1162	1PT	300	400
AB--11635	2PT	720	400



SIZE TOYO-30



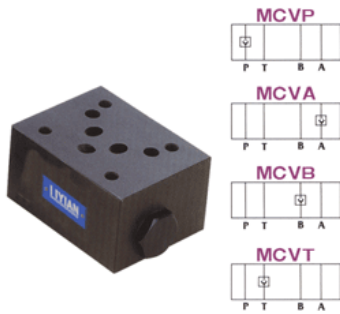
型號	參考流量 l/min	過濾精度 μ	重量 Kg
TOYO-30	270	400	0.15
TOYO-50	530	400	0.19
TOYO-50A	870	500	0.30

型號	A	B	C	D	E	F	G	H
TOYO-30	57	110	35	72	31	42	51	50.8
TOYO-50	87	130	47	75	49	72	86	89.5
TOYO-50A	87	190	52	135	49	78	55	89.5

備注1. TOYO-50A為固定濾油網。2. TOYO-10固定板及油端墊片3孔。



Modular Check Valves



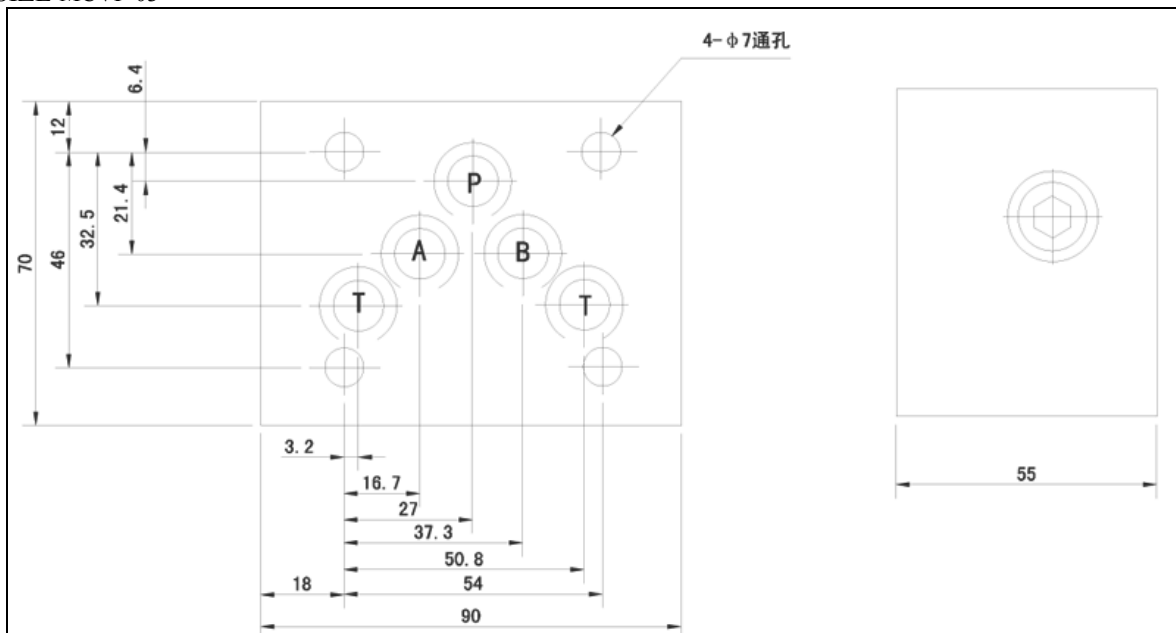
HOW TO ORDER

MCVP	02	B
SERIES NUMBER	VALVE SIZE	CRACKING PRESSURE

SPECIFICATION

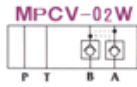
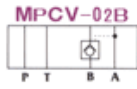
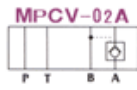
MODEL	RATED PRESSURE (kgf/cm ²)	CRACKING PRESSURE (kgf/cm ²)	RATED FLOW t/min	WEIGHT (kg)
MCVP-02	250	A:0.5 B:3.5 C:4.6	02:40 03:80 06:190	1.0
MCVP-03				2.0
MCVP-06				10.5
MCVA-02				1.0
MCVA-03				2.0
MCVA-06				10.5
MCVB-02				1.0
MCVB-03				2.0
MCVB-06				10.5
MCVT-02				1.0
MCVT-03				2.0
MCVT-06				10.5

SIZE MCVP-03





Modular Pilot Operated Check Valves



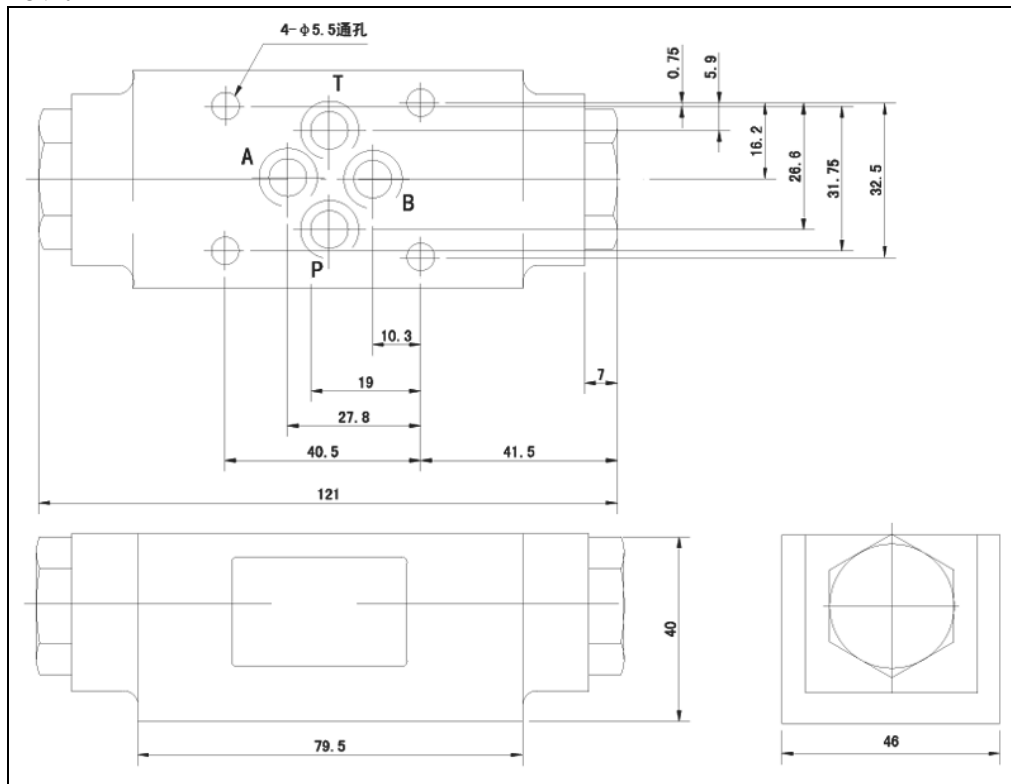
HOW TO ORDER

MPVC	02	B
SERIES NUMBER	VALVE SIZE	CRACKING PRESSURE

SPECIFICATION

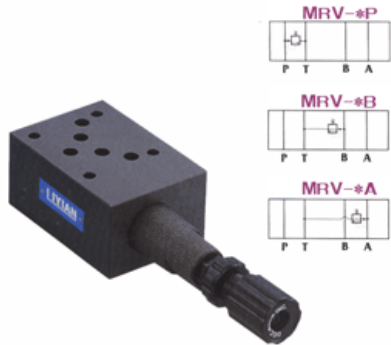
MODEL	RATED PRESSURE (kgf/cm ²)	CRACKING PRESSURE (kgf/cm ²)	RATED FLOW t/min	WEIGHT (kg)
MPCV-02A	250	A:0.5 B:3.5 C:4.6	02:40 03:80 06:190	1.0
MPCV-03A				2.0
MPCV-06A				10.5
MPCV-02B				1.0
MPCV-03B				2.0
MPCV-06B				11.5
MPCV-02W				1.0
MPCV-03W				2.0
MPCV-06W				12.6

SIZE MPCV-02





Modular Relief Valves



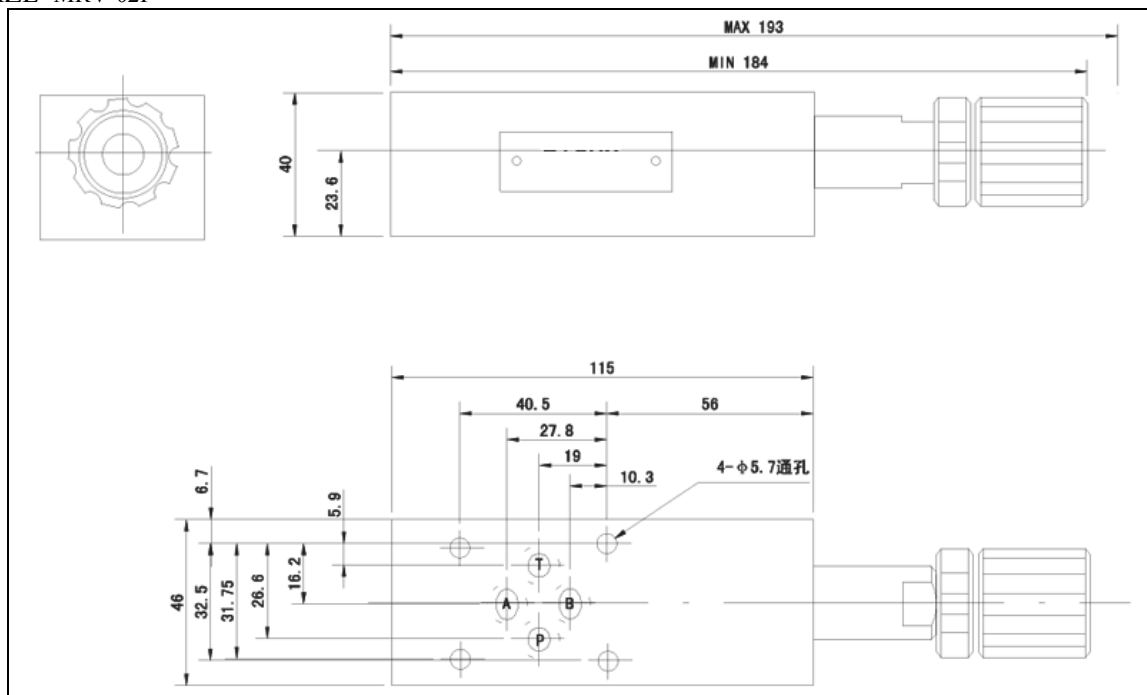
HOW TO ORDER

MRV	02	B	B
SERIES NUMBER	VALVE SIZE	PRESSURE ADJ. RANGE	B: BALANCE POSITION TYPE C: DIRECTED TYPE

SPECIFICATION

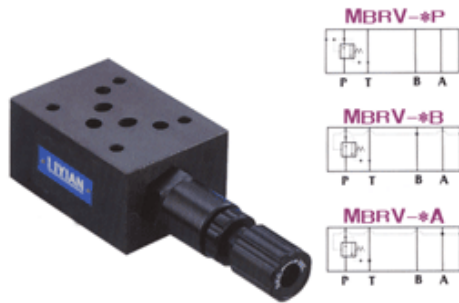
MODEL	RATED PRESSURE (kgf/cm ²)	CRACKING PRESSURE (kgf/cm ²)	RATED FLOW t/min	WEIGHT (kg)		
MRV-02P	250	B: 8-70	02: 40	1.4		
MRV-03P				3.4		
MRV-06P				11.6		
MRV-02A				C: 35-140	03: 80	1.4
MRV-03A						3.4
MRV-06A						11.6
MRV-02B		H: 105-210	06: 190			1.4
MRV-03B						3.4
MRV-06B						11.6

SIZE MRV-02P





Modular Reducing Valves



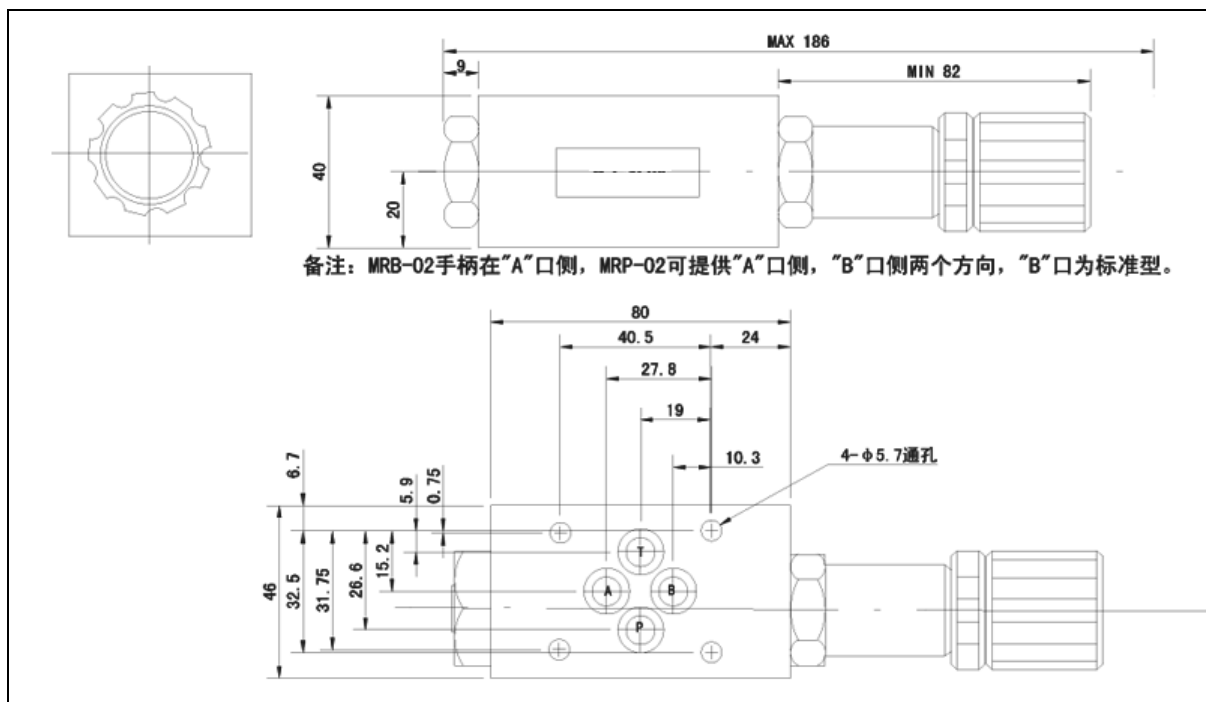
HOW TO ORDER

MBRV	02	P
SERIES NUMBER	VALVE SIZE	PRESSURE ADJ. RANGE

SPECIFICATION

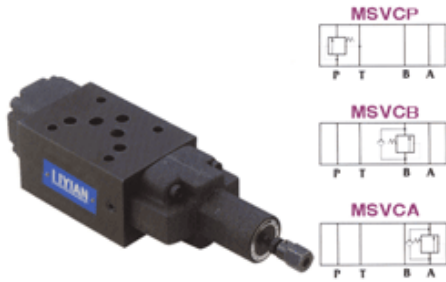
MODEL	RATED PRESSURE (kgf/cm ²)	PRESSURE ADJ. RANGE (kgf/cm ²)	RATED FLOW t/min	WEIGHT (kg)		
MBRV—02P	250	A:3—35	02:40	1.1		
MBRV—03P				3.4		
MBRV—06P				11.6		
MBRV—02A				B:8—70	03:80	1.1
MBRV—03A						3.4
MBRV—06A						11.6
MBRV—02B		H:105--210	06:190	1.1		
MBRV—03B				3.4		
MBRV--06B				11.6		

SIZE MBRV-02P, MBRV-02A, MBRV-02B





Modular Sequence Valves



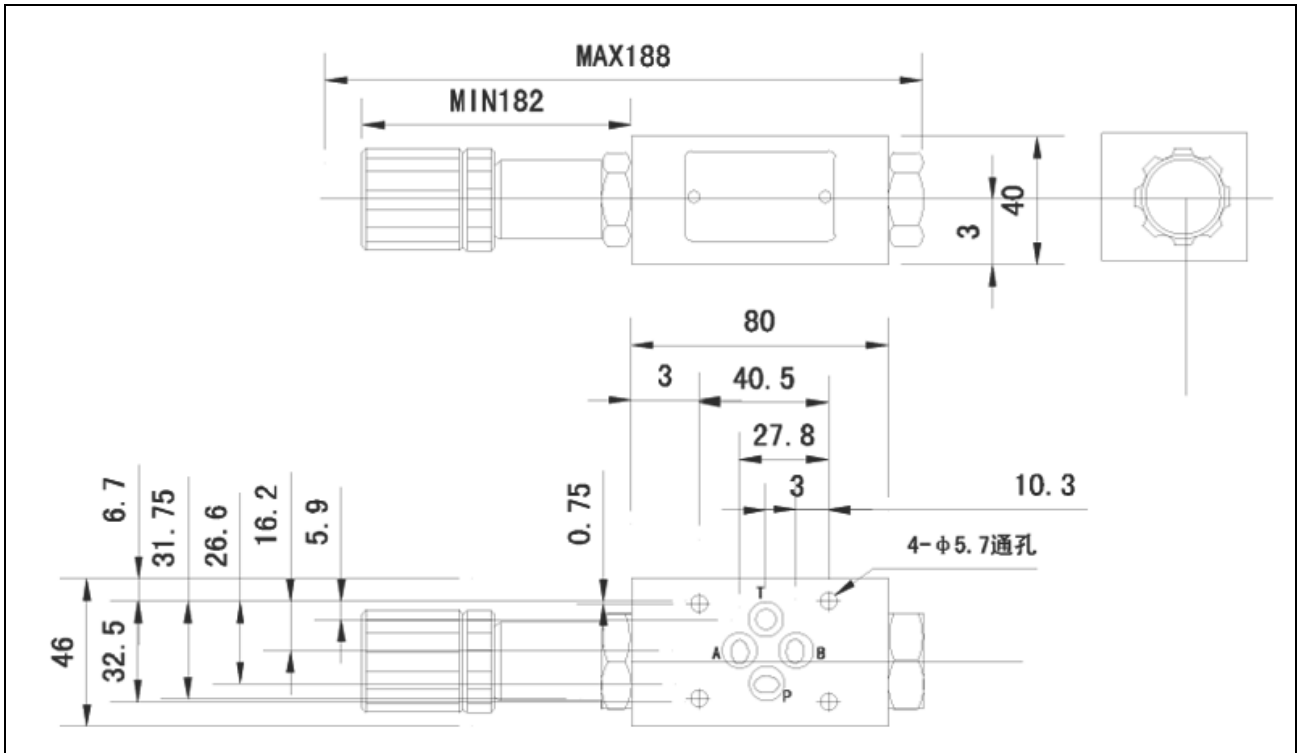
HOW TO ORDER

MSVCP	02	B	P	D
SERIES NUMBER	VALVE SIZE	PRESSURE ADJ. RANGE	EXTERNAL PILOT	EXTERNAL DRAIN

SPECIFICATION

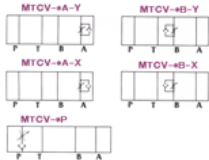
MODEL	RATED PRESSURE (kgf/cm ²)	PRESSURE ADJ. RANGE (kgf/cm ²)	RATED FLOW t/min	WEIGHT (kg)
MSVCP--	250	B:8—70 C:35—140 H:105--210	02:40	1.1
MSVCP--				3.8
MSVCA--			03:80	1.1
MSVCA--				3.8
MSVCB--			06:190	1.1
MSVCB--				3.8

SIZE SVCP-02





Modular Throttle (Check) Valves



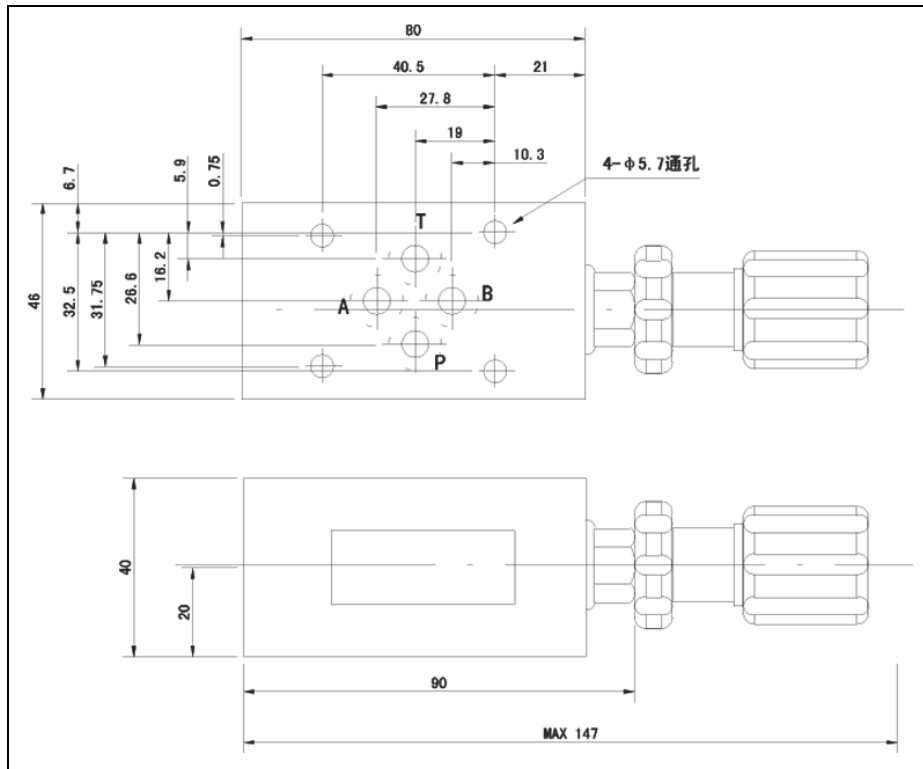
HOW TO ORDER

MTCV	03	X
SERIES NUMBER	VALVE SIZE	X: METER IN Y: METER OUT

SPECIFICATION

MODEL	RATED PRESSURE (kgf/cm ²)	FLOW ADJ. RANGE t/min	RATED FLOW t/min	WEIGHT (kg)		
MTCV—02W	250	02:0.3—20	02:40	1.0		
MTCV—03W				2.0		
MTCV—06W				11.6		
MTCV--02A				03:0.5--80	03:80	1.0
MTCV—03A						2.0
MTCV—06A						11.6
MTCV—02B		06:190	06:190			1.0
MTCV—03B						2.0
MTCV—06B						11.6

SIZE MTCV-02





Pressure Switch

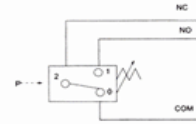
JCD



JPS



JCS



MJCS



HOW TO ORDER

JCS	02	NL
SERIES NUMBER	VALVE SIZE	PRESSURE ADJ.RANGE

SPECIFICATION

MODEL	PRESSURE ADJ.RANGE (kgf/cm ²)	MAX. PRESSURE (kgf/cm ²)	WEIGHT(kg)
JCD-02-S	4-26	70	0.8
JCS-02	N:30-210 NL:25-60 NLL:5-60	210 210 70	1
JPS-02	HM:30-210 L:25-60 LL:5-60	210 210 70	1.45
MJCS-02PN MJCS-02AN MJCS-02BN	30-210	210	1.8
MJCS-02PL MJCS-02AL MJCS-02BL	25-60		1.8
MJCS-02PLL MJCS-02ALL MJCS-02BLL	5-60	70	1.8
MJCS-03PN MJCS-03AN MJCS-03BN	30-210	210	2.8
MJCS-03PL MJCS-03AL MJCS-03BL	25-60		2.8
MJCS-03PLL MJCS-03ALL MJCS-03BLL	5-60	70	2.8



SIZE JCD-02

