



THA61-M

TH Series Touch Screen

Descriptions:

10.4 inch touch screen, streamline design

65536 true colors display, support BMP, JPEG format pictures

Rich 3D picture library can make the screen more vividly

Flexible component selection space, self-defined animation track design

Simple switch setting for changing the modes, precise touch area adjust function

Self-defined data collection and save function

Support various data process modes, such as time trend map, XY trend map...

3 USB ports can realize data duplication and transferring

Two com ports can communication independently and realize multi-THs communicate with one PLC.

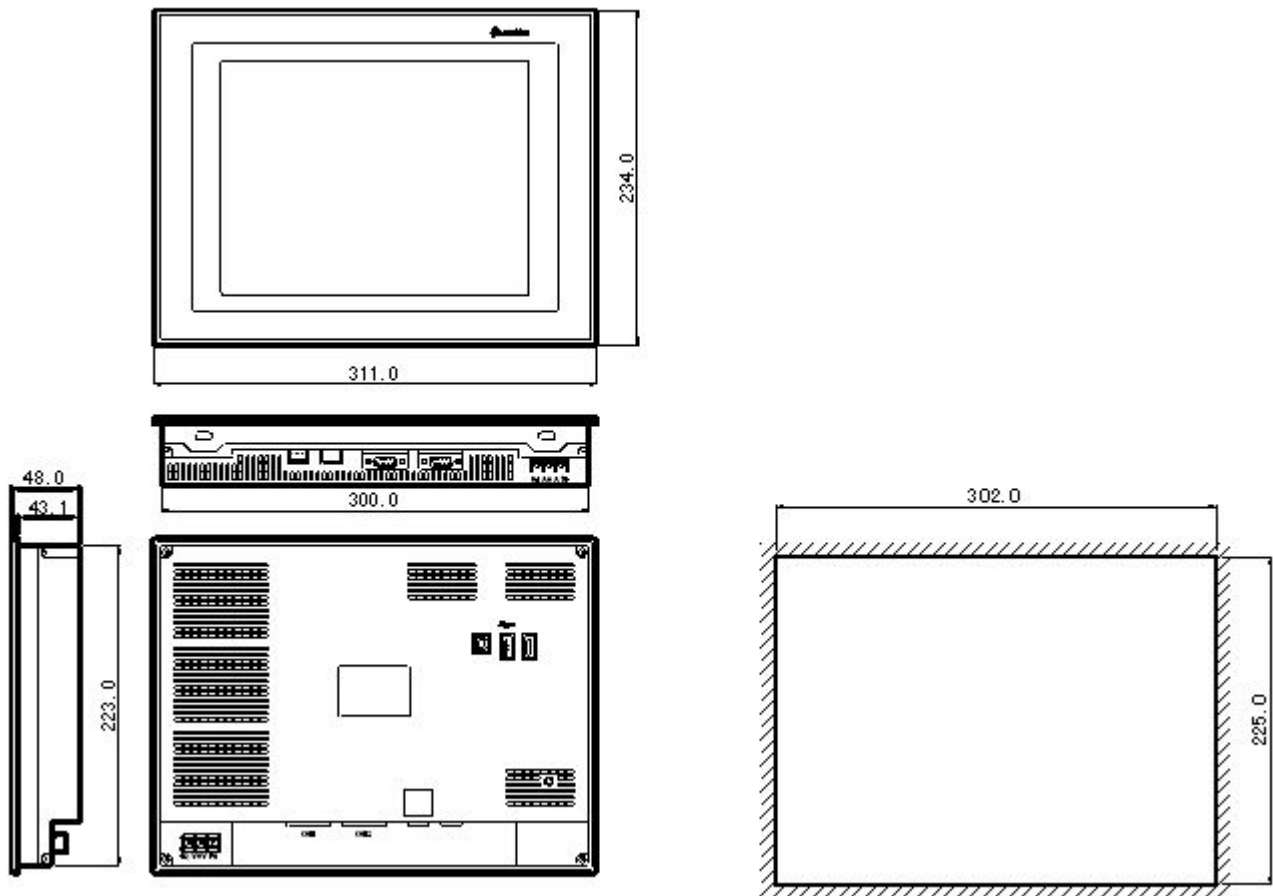
Products Standards

Item		THA61-M
Electrical	Input voltage	DC20-DC28V
	Consumption current	630mA
	Momentary power off allowance	< 10ms
	Withstand voltage	AC1000V-10mA 1 minute (signal and time)
	Insulated impedance	DC500V-about 10M Ω (signal and time)
Interface	COM1	Support RS-232/RS-485
	COM2	Support RS-232/RS422/RS485
	USB1	USB-A (accord with USB2.0)
	USB2	USB-A (accord with USB2.0)
	USB3	USB-B (accordance with USB2.0)
Ambience	Operation temperature	0—50 $^{\circ}$ C
	Reserve temperature	-20-60 $^{\circ}$ C
	Humidity	20-85% (without condensation)
	Withstand oscillation	10-25HZ (X, Y, Z each direction 30 minutes 2G)
	Anti-jamming	Voltage noise: 1000Vp-p、 pulse width1us, 1 minute
	Surrounding air	No corrosive gas



	Protect construction	Accord with IP65
Screen	Type	65536 true colors
	Screen size	10.4 inch
	Use life	>50000 hours, 24 hours running when surrounding temperature is 25°C
	Resolution	640*480 pixels
	Contrast	Non-adjustable
	Character setting	Chinese, English, Japanese, Korean and so on
	Character size	Any font and size
	Touch panel	4-wire resistor touch mode
Memory	Screen	64MB
Construction	Cooling mode	Natural air cooling
	Exterior dimension	311.0*234.0*48.0mm
	Mounting dimension	302.0*225.0mm

Dimensions: (Units: mm)





TH865-M

TH Series Touch Screen

Descriptions:

8 inch touch screen, streamline design

65536 true colors display, support BMP, JPEG format pictures

Rich 3D picture library can make the screen more vividly

Flexible component selection space, self-defined animation track design

Simple switch setting for changing the modes, precise touch area adjust function

Self-defined data collection and save function

Support various data process modes, such as time trend map, XY trend map...

3 USB ports can realize data duplication and transferring

Two com ports can communication independently and realize multi-THs communicate with one PLC.

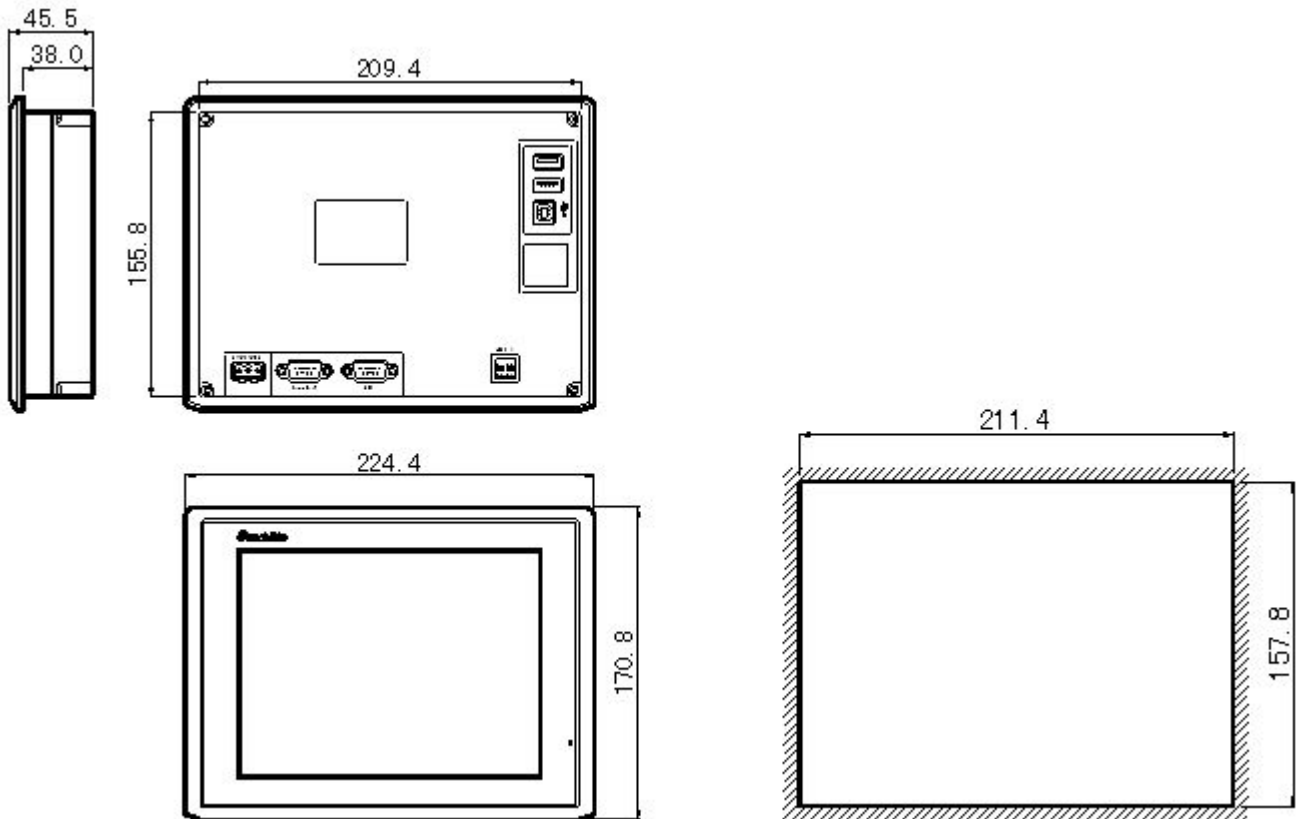
Products Standards

Item		TH865-M
Electrical	Input voltage	DC20-DC28V
	Consumption current	260mA
	Momentary power off allowance	< 10ms
	Withstand voltage	AC1000V-10mA 1 minute (signal and time)
	Insulated impedance	DC500V-about 10M Ω (signal and time)
Interface	COM1	Support RS-232/RS-485
	COM2	Support RS-232/RS422/RS485
	USB1	USB-A (accord with USB2.0)
	USB2	USB-A (accord with USB2.0)
	USB3	USB-B (accordance with USB2.0)
Ambience	Operation temperature	0—50 $^{\circ}$ C
	Reserve temperature	-20-60 $^{\circ}$ C
	Humidity	20-85% (without condensation)
	Withstand oscillation	10-25HZ (X, Y, Z each direction 30 minutes 2G)
	Anti-jamming	Voltage noise: 1000Vp-p、 pulse width1us, 1 minute
	Surrounding air	No corrosive gas



	Protect construction	Accord with IP65
Screen	Type	65536 true colors
	Screen size	8 inch
	Use life	>50000 hours, 24 hours running when surrounding temperature is 25°C
	Resolution	800*600 pixels
	Contrast	Non-adjustable
	Character setting	Chinese, English, Japanese, Korean and so on
	Character size	Any font and size
	Touch panel	4-wire resistor touch mode
Memory	Screen	64MB
Construction	Cooling mode	Natural air cooling
	Exterior dimension	224.4*170.8*45.5mm
	Mounting dimension	211.4*157.8mm

Dimensions: (Units: mm)





TH765-M

TH Series Touch Screen

Descriptions:

7 inch touch screen, streamline design

65536 true colors display, support BMP, JPEG format pictures

Rich 3D picture library can make the screen more vividly

Flexible component selection space, self-defined animation track design

Simple switch setting for changing the modes, precise touch area adjust function

Self-defined data collection and save function

Support various data process modes, such as time trend map, XY trend map...

3 USB ports can realize data duplication and transferring

Two com ports can communication independently and realize multi-THs communicate with one PLC.

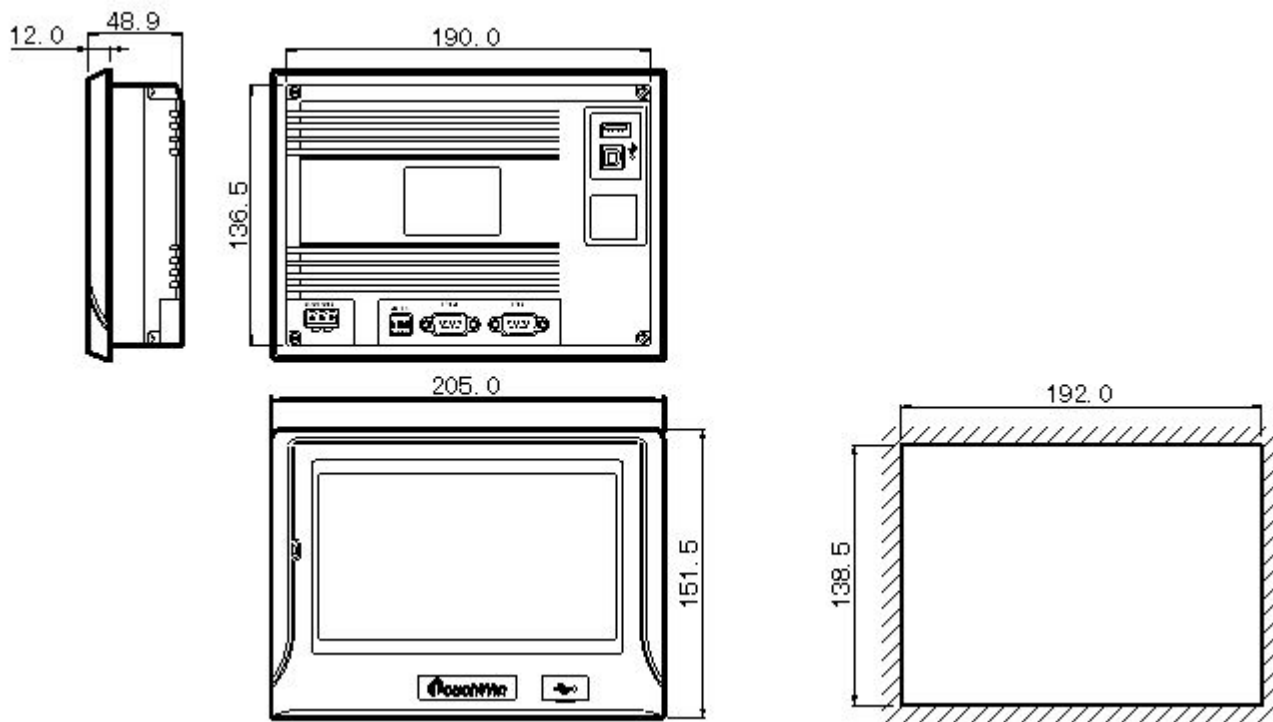
Products Standards

Item		TH765-M
Electrical	Input voltage	DC20-DC28V
	Consumption current	250mA
	Momentary power off allowance	< 10ms
	Withstand voltage	AC1000V-10mA 1 minute (signal and time)
	Insulated impedance	DC500V-about 10M Ω (signal and time)
Interface	COM1	Support RS-232/RS-485
	COM2	Support RS-232/RS422/RS485
	USB1	USB-A (accord with USB2.0)
	USB2	USB-A (accord with USB2.0)
	USB3	USB-B (accordance with USB2.0)
Ambience	Operation temperature	0—50 $^{\circ}$ C
	Reserve temperature	-20-60 $^{\circ}$ C
	Humidity	20-85% (without condensation)
	Withstand oscillation	10-25HZ (X, Y, Z each direction 30 minutes 2G)
	Anti-jamming	Voltage noise: 1000Vp-p、 pulse width1us, 1 minute
	Surrounding air	No corrosive gas



	Protect construction	Accord with IP65
Screen	Type	65536 true colors
	Screen size	7 inch
	Use life	>50000 hours, 24 hours running when surrounding temperature is 25°C
	Resolution	800*448 pixels
	Contrast	Non-adjustable
	Character setting	Chinese, English, Japanese, Korean and so on
	Character size	Any font and size
	Touch panel	4-wire resistor touch mode
Memory	Screen	64MB
Construction	Cooling mode	Natural air cooling
	Exterior dimension	205.0*151.5*48.9mm
	Mounting dimension	192.0*138.5mm

Dimensions: (Units: mm)





TH465-M

TH Series Touch Screen

Descriptions:

4.3 inch touch screen, streamline design

65536 true colors display, support BMP, JPEG format pictures

Rich 3D picture library can make the screen more vividly

Flexible component selection space, self-defined animation track design

Simple switch setting for changing the modes, precise touch area adjust function

Self-defined data collection and save function

Support various data process modes, such as time trend map, XY trend map...

3 USB ports can realize data duplication and transferring

Two com ports can communication independently and realize multi-THs communicate with one PLC.

Products Standards

Item		TH465-M
Electrical	Input voltage	DC20-DC28V
	Consumption current	130mA
	Momentary power off allowance	< 10ms
	Withstand voltage	AC1000V-10mA 1 minute (signal and time)
	Insulated impedance	DC500V-about 10M Ω (signal and time)
Interface	COM1	Support RS-232/RS-485
	COM2	Support RS-232/RS422/RS485
	USB1	USB-A (accord with USB2.0)
	USB2	USB-A (accord with USB2.0)
	USB3	USB-B (accordance with USB2.0)
Ambience	Operation temperature	0—50 $^{\circ}$ C
	Reserve temperature	-20-60 $^{\circ}$ C
	Humidity	20-85% (without condensation)
	Withstand oscillation	10-25HZ (X, Y, Z each direction 30 minutes 2G)
	Anti-jamming	Voltage noise: 1000Vp-p, pulse width1us, 1 minute
	Surrounding air	No corrosive gas
	Protect construction	Accord with IP65



Screen	Type	65536 true colors
	Screen size	4.3 inch
	Use life	>50000 hours, 24 hours running when surrounding temperature is 25°C
	Resolution	480*272 pixels
	Contrast	Non-adjustable
	Character setting	Chinese, English, Japanese, Korean and so on
	Character size	Any font and size
	Touch panel	4-wire resistor touch mode
Memory	Screen	8MB
Construction	Cooling mode	Natural air cooling
	Exterior dimension	150.0*100.0*41.0mm
	Mounting dimension	144.0*94.0mm

Dimensions: (Units: mm)

