



MY4/MY3/MY2 -S, -N, -F, -O Miniature Power Relay

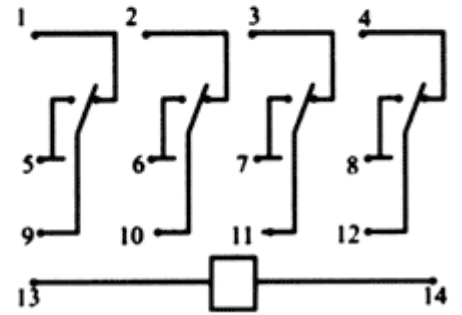
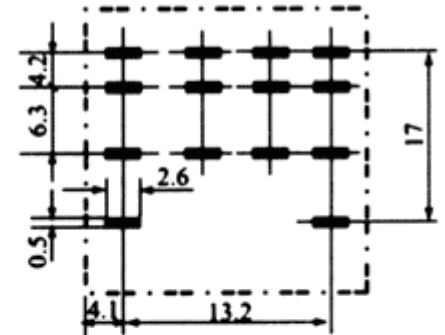
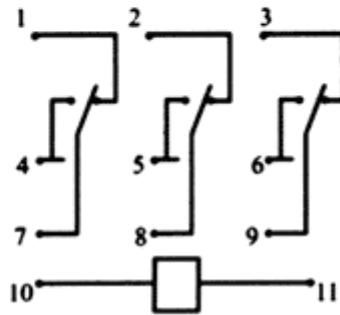
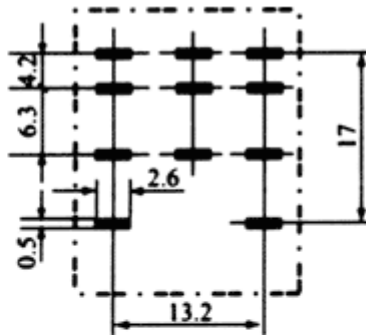
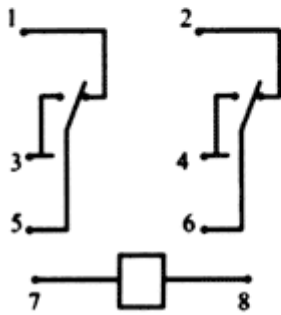
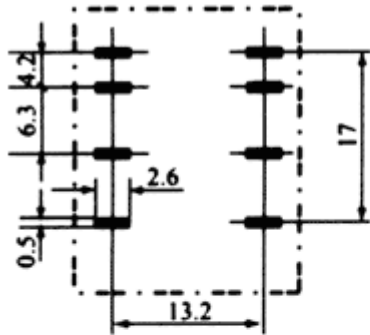


PRODUCT SPECIFICATIONS:

CLASSIFICATION		MINIAURE POWER RELAY SERIES		
MODEL		MY2,-S,-N,-F,-O	MY3,-S,-N,-F,-O	MY4,-S,-N,-F,-O
DIMENSIONS(mm)		27.5*21.5*35	27.5*21.5*35	27.5*21.5*35
CONTACT FORM		2Z	3Z	4Z
CONTACT CAPACITY		5A 250V AC	5A 250V AC	3A 250V AC
COIL VOLTAGE	DC	6-220V		
	AC	6-380V		
COIL POWER		DC:≤0.9W AC:≥1.2VA		
PICK-UP		80% max		
DROP-OUT		AC 30% mix DC 10% min		
CONTACT RESISTANCE		≤50mΩ		
INSULATION TESISTANCE		≥100mΩ		
LIFE	ELECTRICAL	10 5 times		
	MECHANICAL	10 7 times		
DIELECTRIC STRENGTH	BETWEEN OPEN CONTACTS	AC 1000V 50/60Hz/min		
	BETWIN COIL&CONTACT	AC 1500V 50/60Hz/min		
MOUNTING FORM		P.C.B&Socket		
OPERATING TEMPERATURE		-40°C+55°C		
WEIGHT		About 35g	About 35g	About 53g
LIKE PRODUCTS		American P&B 110KH2 FUJITSU HH52P Shangwuba Manufactory 4140	American P&B 110KH2 FUJITSU HH52P Shangwuba Manufactory 4140	American P&B 110KH2 FUJITSU HH52P Shangwuba Manufactory 4140
FITTED SOCKET		PYF08A PYF08A-E PY-08	PYF08A PYF08A-E PY-08	PT-11 PTF11A
REMARKS		with lamp:-N,FLANGE:-F,with bottom:-S,PCB:-O		

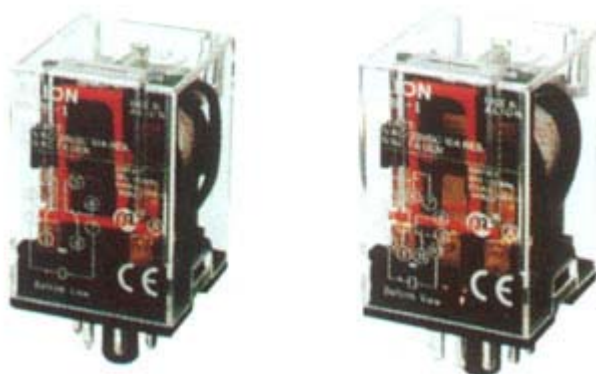


MOUNTING HOLES & BOTTOM VIEW





MK2P-1, -S, -N MK3P-1, -S, -N Miniature Power Relay

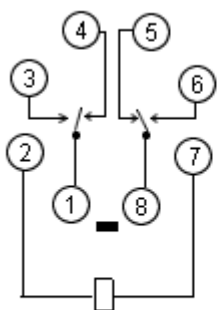


PRODUCT SPECIFICATIONS:

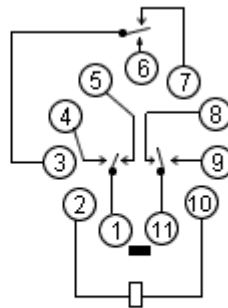
CLASSIFICATION		MINIAURE POWER RELAY SERIES	
MODEL		MK2P-1,-S,-N	MK3P-1,-S,-N
DIMENSIONS(mm)		34.5*34.5*52	34.5*34.5*52
CONTACT FORM		2Z	3Z
CONTACT CAPACITY		10A 250V AC,DC 28V	
COIL VOLTAGE	DC	6-220V	
	AC	6-380V	
COIL POWER		DC;Ö1.3W AC;Ö2.4VA	
PICK-UP		80% max	
DROP-OUT		AC 30% min DC 15% min	
CONTACT RESISTANCE		≤50mΩ	
INSULATION TESTANCE		≥100mΩ	
LIFE	ELECTRICAL	10 5 times	
	MECHANICAL	10 7 times	
DIELECTRIC STRENGTH	BETWEEN OPEN CONTACTS	AC 1000V 50/60Hz/min	
	BETWIN COIL&CONTACT	AC 1500V 50/60Hz/min	
MOUNTING FORM		Socket	
OPERATING TEMPERATURE		-40°C-+55°C	
WEIGHT		About 85g	About 85g
LIKE PRODUCTS		H,K FRM5	H,K FRM5
FITTED SOCKET		PF083A	PF113A
		PF083A-E	PF113A-E
		US-08	US-11
REMARKS		With lamp:-N,with bottom:-S	



DIMENSIONS



MK2P-1,-S,-N



MK3P-1,-S,-N



Solid State Relay



ZG3T



ZG3M



ZG3V



SSR



ZG3NC



ZG33




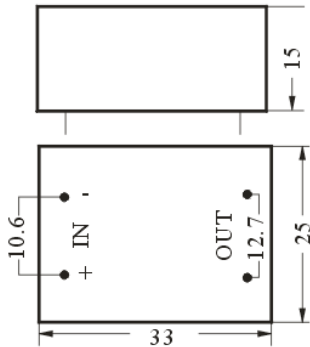
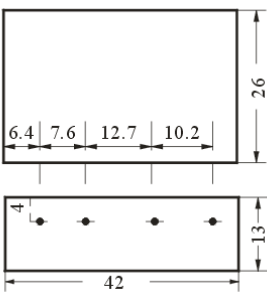
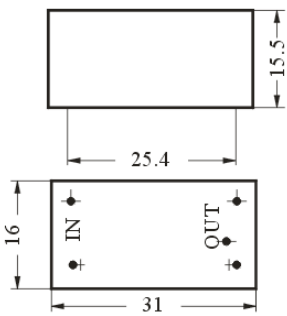



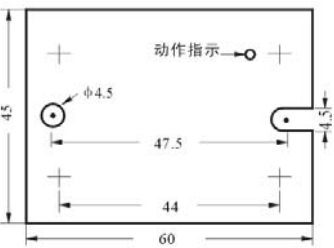
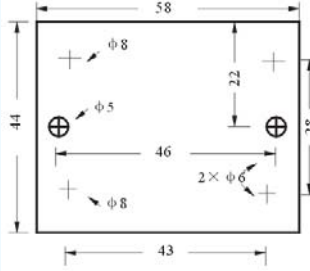
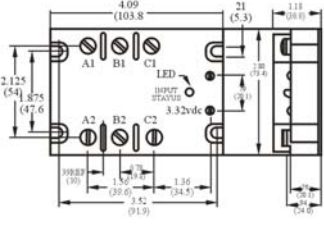
Model description of solid state relay and solid state voltage regulator

ZG3	NC	-2	10	B
1	2	3	4	5

No.	Composition	Code and definition
1	Basic	ZG3:Solid state relay ZG1:Solid state voltage regulator ZG33:three phase solid state relay
2	Outward appearance code	NA,NC,M,T...
3	Load voltage	2:30-240VAC 3:90-480VAC 4:24VDC 5:50VDC
4	Load current	03:3A 10:10A 40:40A
5	Input vottage	B:3-23VDC A:90-250VAC C:560KΩ/2W potentiometer



Solid State Relay

Category	Small horizontal type	Small card type	Subminiature horizontal type
Type	ZG3T	ZG3M	ZG3V
Dimension	60*45*24 	58*44*32 	104*73.5*24 
Mounting diagram			
Category			3-phase AC solid state relay
Type	SSR	ZG3NC	ZG33
Dimension			
Mounting diagram			
Function	,SSRMany kinds of input standards ,With operation display		
Insulation	Photoelectrical coupler		



Output	Load Current	10-40A	10-80A
	Leakage current	5mA 100VAC 5mA 10mA 200VAC 10mA	
	VoRmVceo(V)	1000	
	di/dt(A/us)	200	
	dv/dt(v/us)	400	
	I ² t(A ² S)	25-3000(Bigger current,bigger consumption)	
	Max.TJ(C)	100	
Input	Input Voltage	3-32VDC/90-250VAC	
	Input Current	< 40mA	
	Off Voltage	1VDC	
	On Voltage	3VDC	
	Off time	0.5ms DC/10msAC	
	On time	0.5ms DC/10msAC	
Dielectric stength		50Hz,60S 2500VAC	
Ambient temperature		-30°C-80°C(Under non-ice/dewfall condition)	
Coefficient of safety of working current		Dissipative load is 60% Inductive load is 40%	

Item NO.	Input voltage	Output volage	Output current
ZG3T-201B	3-32VDC	30-240VAC	1A
ZG3T-301B	3-32VDC	90-480VAC	1A
ZG3T-203B	3-32VDC	30-240VAC	3A
ZG3T-303B	3-32VDC	90-480VAC	3A
ZG3M-201B	3-32VDC	30-240VAC	1A
ZG3M-301B	3-32VDC	90-480VAC	1A
ZG3M-203B	3-32VDC	30-240VAC	3A
ZG3M-303B	3-32VDC	90-480VAC	3A
ZG3M-205B	3-32VDC	30-240VAC	5A
ZG3M-305B	3-32VDC	90-480VAC	5A
ZG3M-208B	3-32VDC	30-240VAC	8A
ZG3M-308B	3-32VDC	90-480VAC	8A
ZG3V-201B	3-32VDC	30-240VAC	1A
ZG3V-301B	3-32VDC	90-480VAC	1A
SSR-10DA	3-32VDC	24-380VAC	10A
SSR-20DA	3-32VDC	24-380VAC	20A
SSR-25DA	3-32VDC	24-380VAC	25A
SSR-40DA	3-32VDC	24-380VAC	40A
SSR-10AA	80-250VAC	24-380VAC	10A
SSR-20AA	80-250VAC	24-380VAC	20A
SSR-25AA	80-250VAC	24-380VAC	25A
SSR-40AA	80-250VAC	24-380VAC	40A
ZG3NC-210B	3-32VDC	30-240VAC	10A
ZG3NC-310B	3-32VDC	90-480VAC	10A
ZG3NC-215B	3-32VDC	30-240VAC	15A
ZG3NC-315B	3-32VDC	90-480VAC	15A
ZG3NC-220B	3-32VDC	30-240VAC	20A



ZG3NC-320B	3-32VDC	90-480VAC	20A
ZG3NC-225B	3-32VDC	30-240VAC	25A
ZG3NC-325B	3-32VDC	90-480VAC	25A
ZG3NC-240B	3-32VDC	30-240VAC	40A
ZG3NC-340B	3-32VDC	90-480VAC	40A
ZG3NC-250B	3-32VDC	30-240VAC	50A
ZG3NC-350B	3-32VDC	90-480VAC	50A
ZG3NC-260B	3-32VDC	30-240VAC	60A
ZG3NC-360B	3-32VDC	90-480VAC	60A
ZG3NC-270B	3-32VDC	30-240VAC	70A
ZG3NC-370B	3-32VDC	90-480VAC	70A
ZG3NC-280B	3-32VDC	30-240VAC	80A
ZG3NC-380B	3-32VDC	90-480VAC	80A
ZG3NC-210A	80-250VAC	30-240VAC	10A
ZG3NC-310A	80-250VAC	90-480VAC	10A
ZG3NC-215A	80-250VAC	30-240VAC	15A
ZG3NC-315A	80-250VAC	90-480VAC	15A
ZG3NC-220A	80-250VAC	30-240VAC	20A
ZG3NC-320A	80-250VAC	90-480VAC	20A
ZG3NC-225A	80-250VAC	30-240VAC	25A
ZG3NC-325A	80-250VAC	90-480VAC	25A
ZG3NC-240A	80-250VAC	30-240VAC	40A
ZG3NC-340A	80-250VAC	90-480VAC	40A
ZG3NC-250A	80-250VAC	30-240VAC	50A
ZG3NC-350A	80-250VAC	90-480VAC	50A
ZG3NC-260A	80-250VAC	30-240VAC	60A
ZG3NC-360A	80-250VAC	90-480VAC	60A
ZG3NC-270A	80-250VAC	30-240VAC	70A
ZG3NC-370A	80-250VAC	90-480VAC	70A
ZG3NC-280A	80-250VAC	30-240VAC	80A
ZG3NC-380A	80-250VAC	90-480VAC	80A
ZG33-310B	3-32VDC	30-240VAC	10A
ZG33-320B	3-32VDC	90-480VAC	20A
ZG33-325B	3-32VDC	30-240VAC	25A
ZG33-340B	3-32VDC	90-480VAC	40A
ZG33-310A	80-250VAC	90-480VAC	10A
ZG33-320A	80-250VAC	90-480VAC	20A
ZG33-325A	80-250VAC	90-480VAC	25A
ZG33-340A	80-250VAC	90-480VAC	40A
ZG1NC-210C	2W/470K Ω -560K Ω	30-240VAC	10A
ZG1NC-215C	2W/470K Ω -560K Ω	30-240VAC	15A
ZG1NC-220C	2W/470K Ω -560K Ω	30-240VAC	20A
ZG1NC-225C	2W/470K Ω -560K Ω	30-240VAC	25A
ZG1NC-240C	2W/470K Ω -560K Ω	30-240VAC	40A

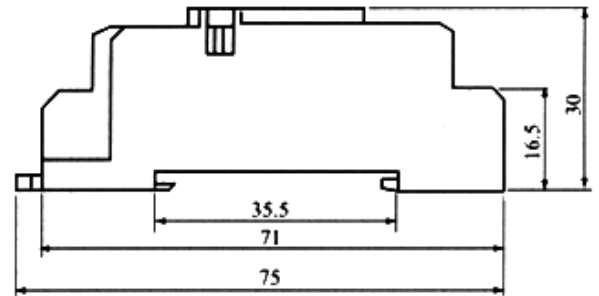
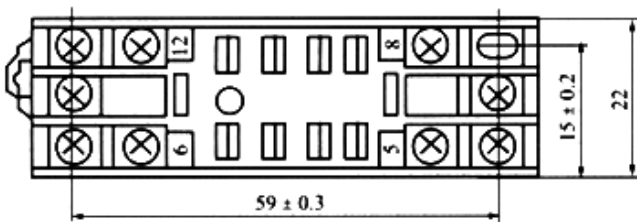


Relay Socket

PYF08A



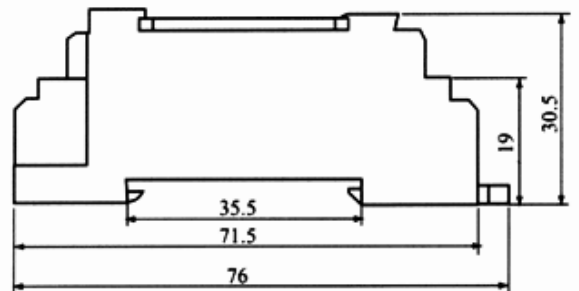
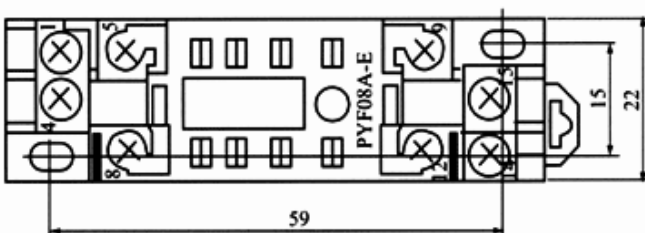
DIMENSION:



PYF08A-E



DIMENSION:

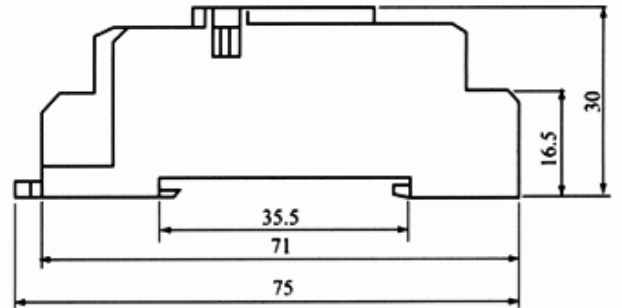
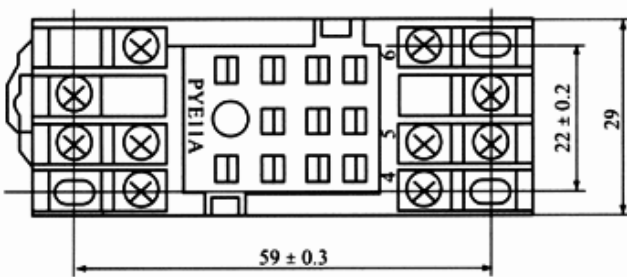




PYF11A



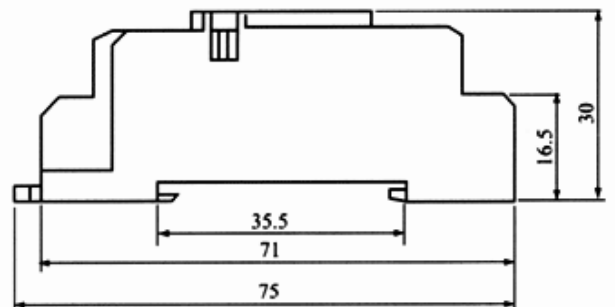
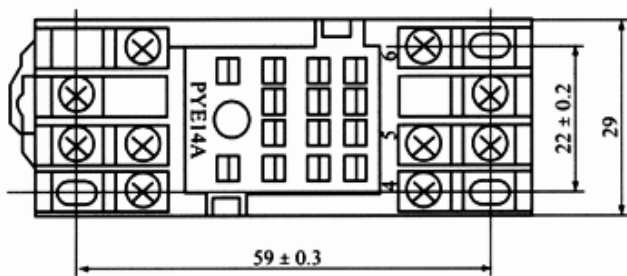
DIMENSION:



PYF14A



DIMENSION:

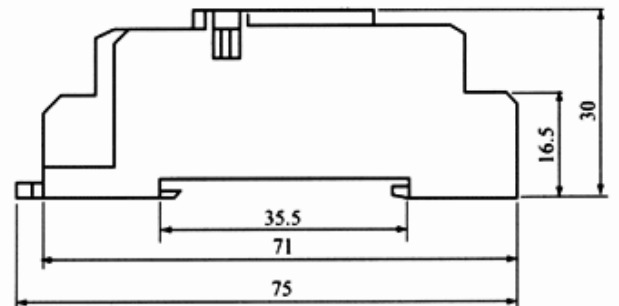
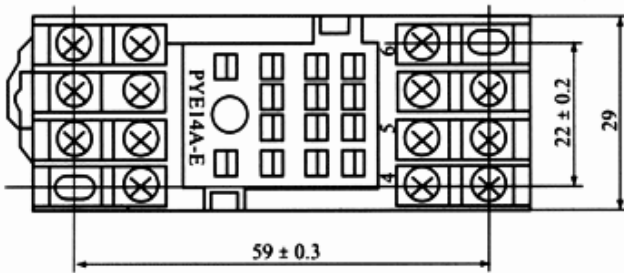




PYF14A-E



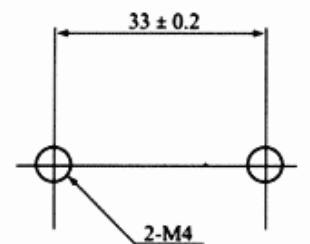
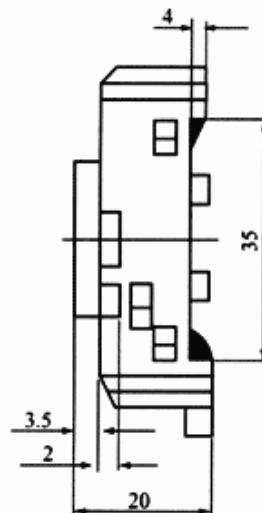
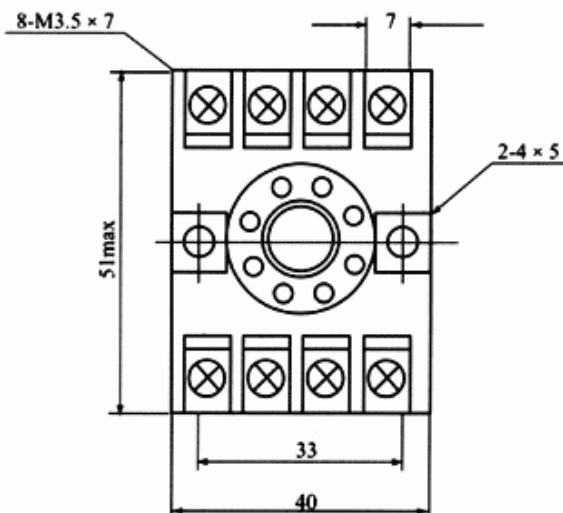
DIMENSION:



PF083A



DIMENSION:

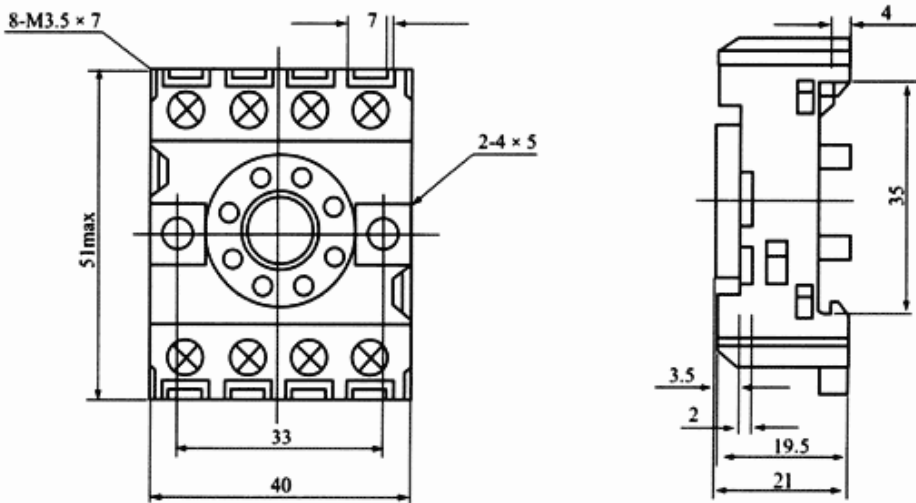




PF083A-E



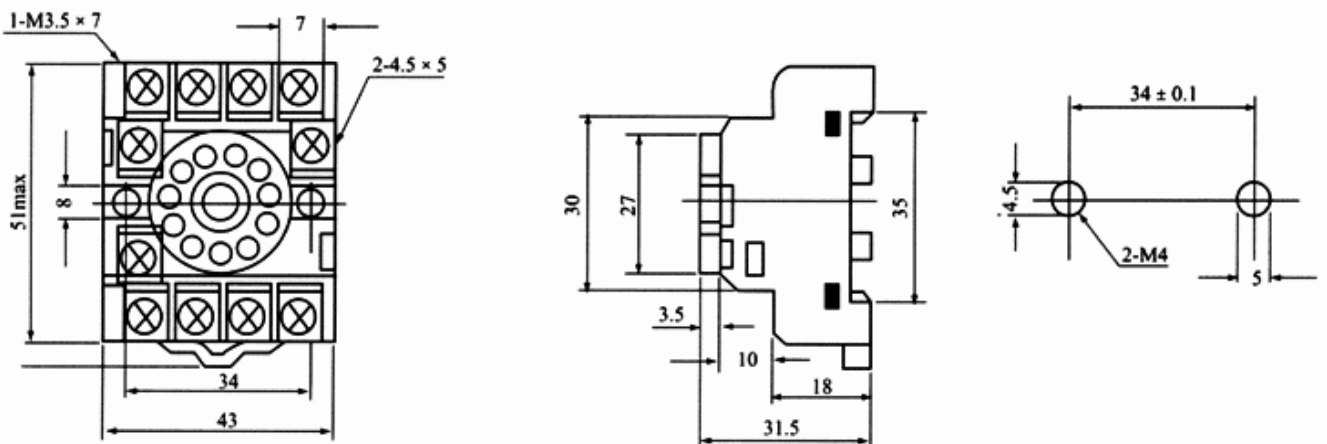
DIMENSION:



PF113A



DIMENSION:

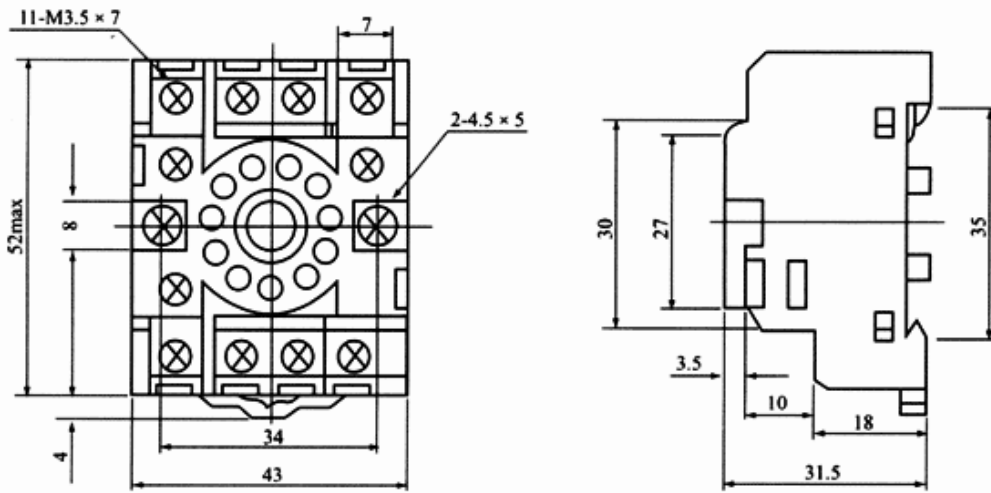




PF113A-E



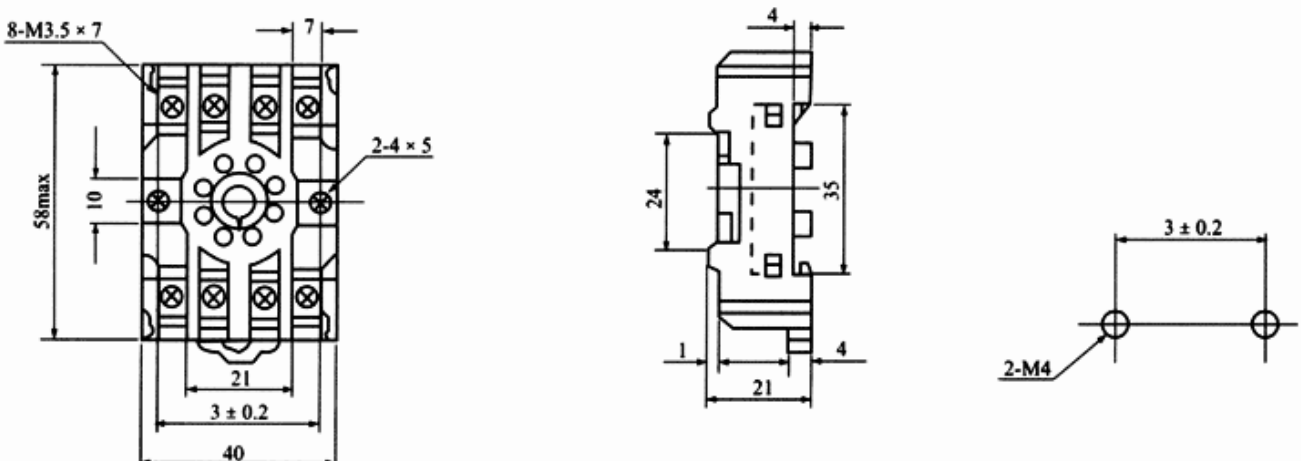
DIMENSION:



PF085-A



DIMENSION:

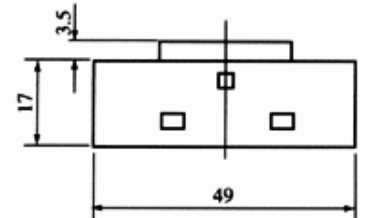
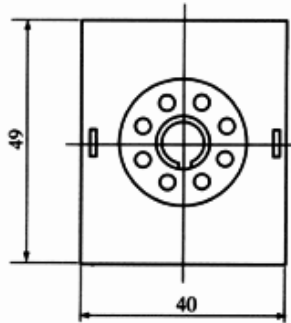
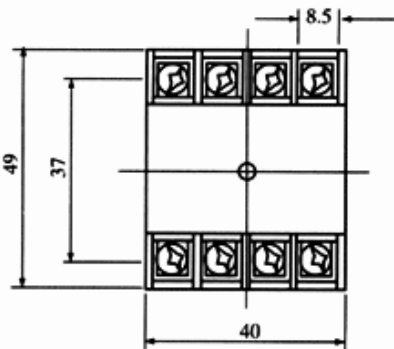




P3G-08



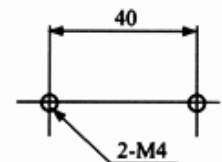
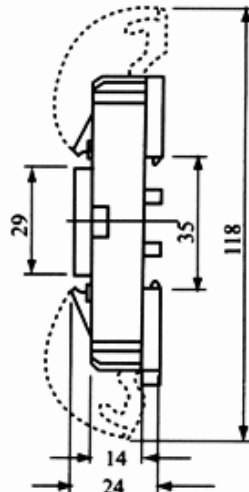
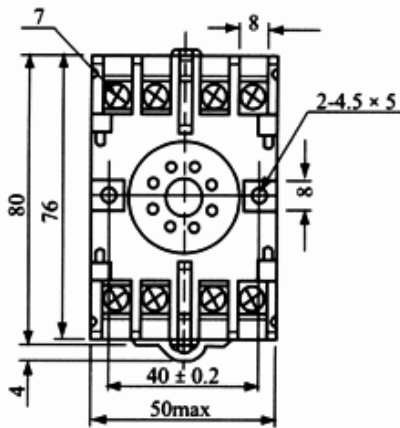
DIMENSION:



8PFA



DIMENSION:

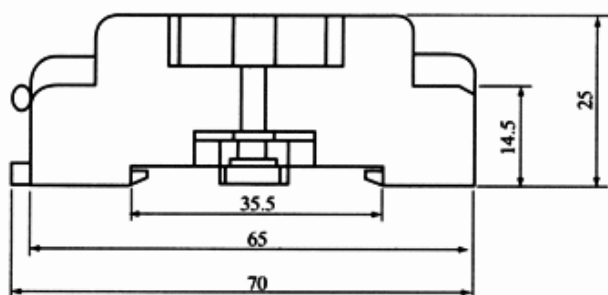
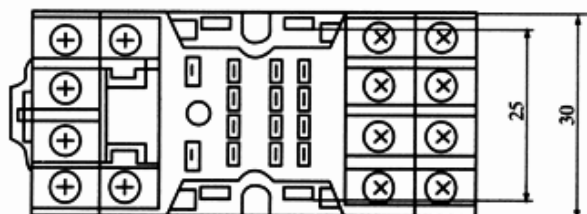




PYF14.5A



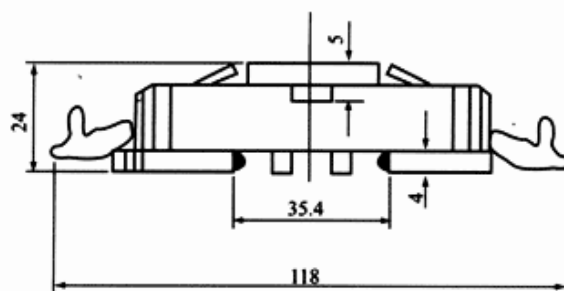
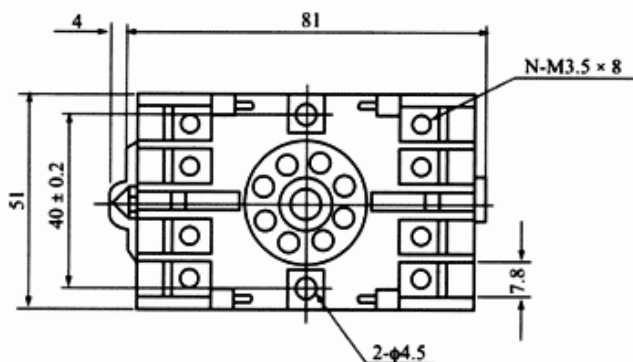
DIMENSION:



RPF-011



DIMENSION:

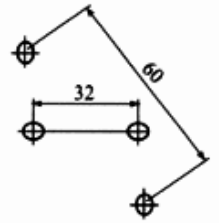
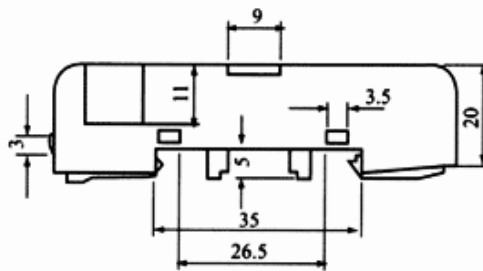
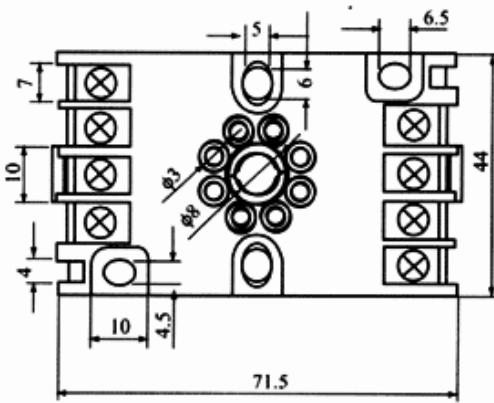




90.22



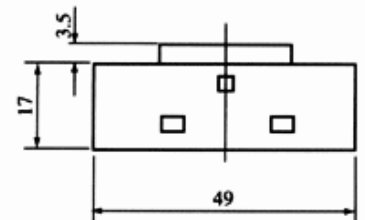
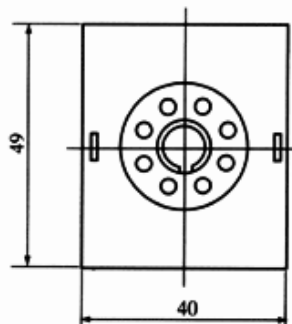
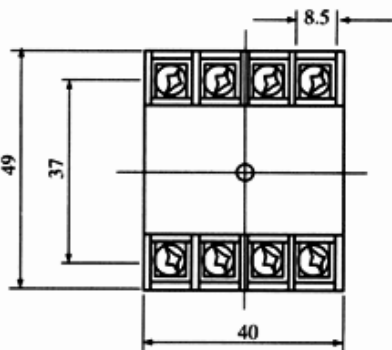
DIMENSION:



90.23



DIMENSION:

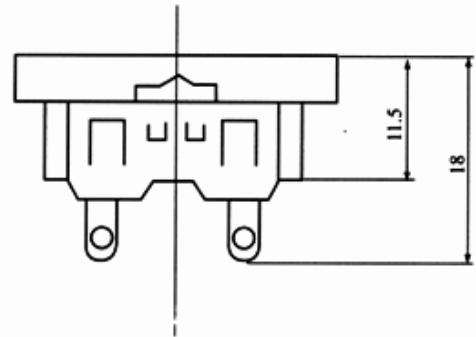
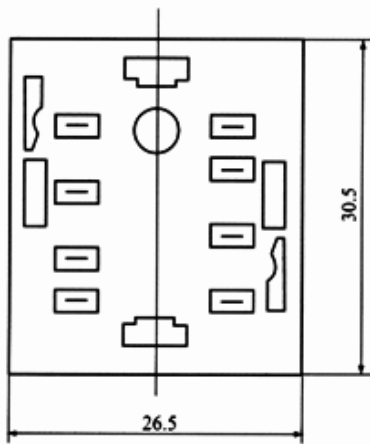




PY-08



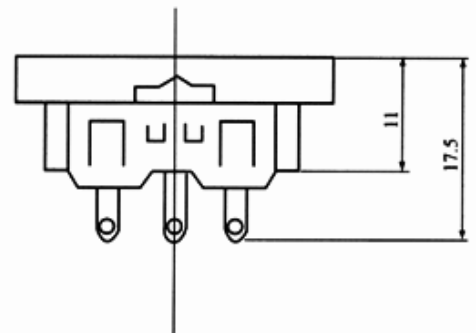
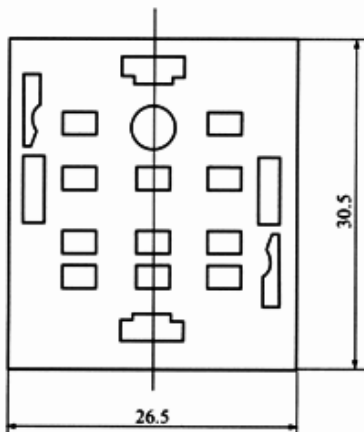
DIMENSION:



PY-11



DIMENSION:

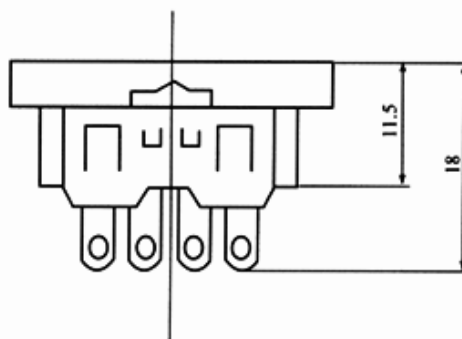
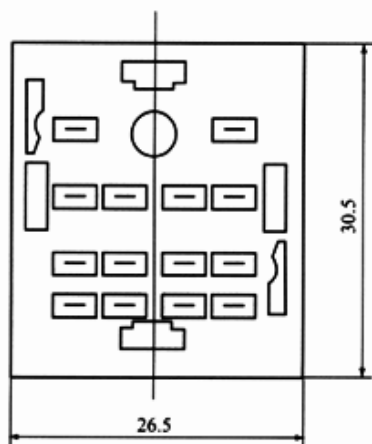




PY-14



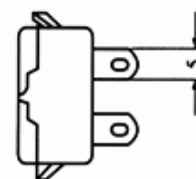
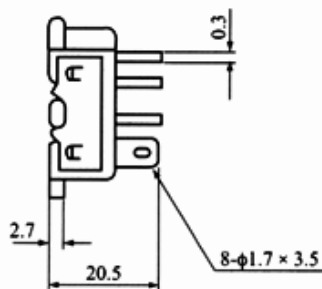
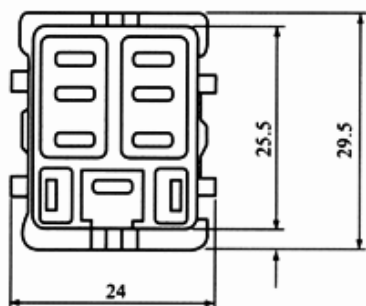
DIMENSION:



PT-08



DIMENSION:

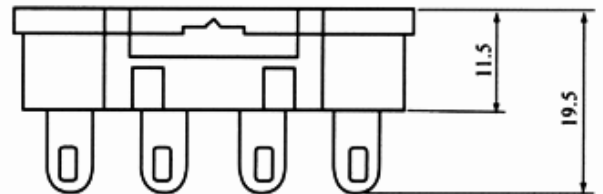
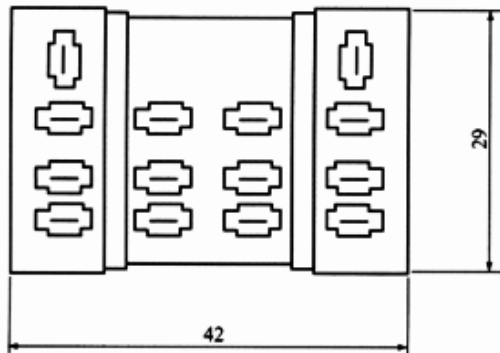




PT-14



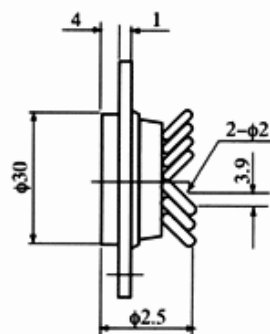
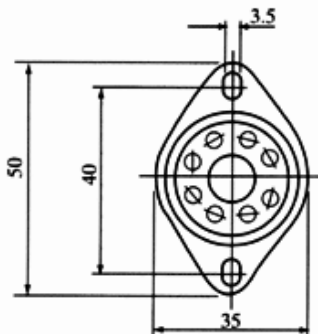
DIMENSION:



PL-08



DIMENSION:



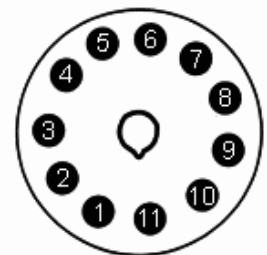
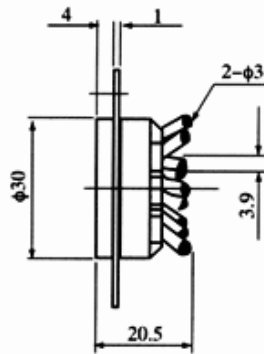
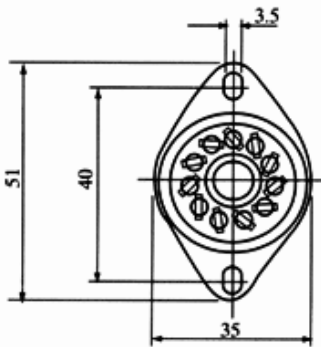
BOTTOM VIEW



PL-11



DIMENSION:

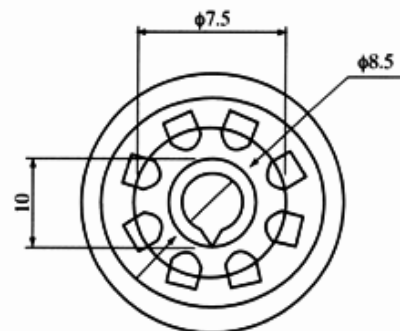
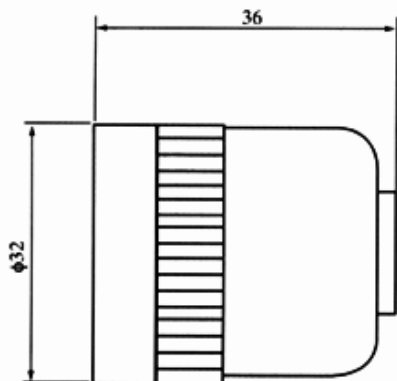


BOTTOM VIEW

US-08



DIMENSION:

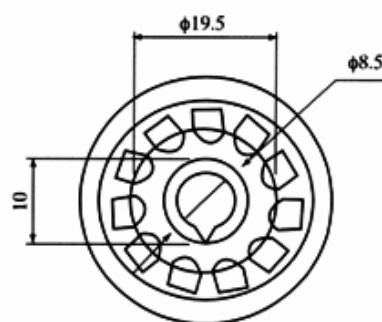
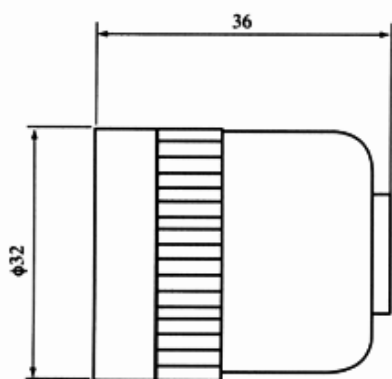




US-11



DIMENSION:



PS-3S



DIMENSION:

