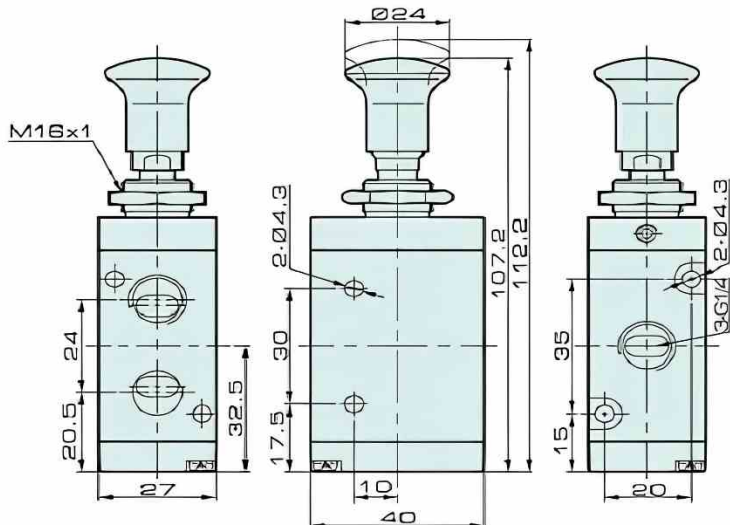


Valvă Pneumatică 3R310-08 Cu 3 Căi 2 Poziții G1/4



3R310-08



Number	Name	Number	Name
1	SET SCREW	6	VALVE SPOOL
2	HEXAGON NUT	7	VALVE BODY
3	LOCK NUT	8	FLAT RING
4	HANDLE	9	COVER
5	TOP COVER		

Specification

Model	3R310-08
Working Medium	40 Micron Filtered Air
Effective Cross Section Area	25 mm <sup>2</sup> (CV = 1.40)
Port Size	Inlet, Outlet, Exhaust Port = 1/4"
Working-pressure	21.75 ~ 116 PSI
Working Tempreture URE	-20 ~ 70°C
Position Number	3/2 Way



0726.175.111 | COMPONENTE PNEUMATICE ȘI HIDRAULICE  
0721.228.444 | COMPONENTE ELECTRICE  
0754.075.656 | COMPONENTE MECANICE



AUTOMATIC INVEST  
ROMANIA, IAȘI,  
CALEA CHIȘINĂULUI, NR. 29



WWW.AUTOMATIC.RO  
EMAIL  
VANZARI@AUTOMATIC.RO