

Valvă Pneumatică Cu Buton/Tip Ciupercă MSV



MSV86321



MSV86321EB



MSV86321LB



MSV86321TB



MSV86321PP



MSV86321PPL



MSV86321PB



MSV86321R



MSV86522



MSV86522EB



MSV86522LB



MSV86522TB



MSV86522PP



MSV86522PPL



MSV86522PB



MSV86522R



MSV98322



MSV98322EB



MSV98322LB



MSV98322TB



MSV98322PP



MSV98322PPL



MSV98322PB



MSV98322R



Ordering Code

MSV	86	32	1	R
Specification	Series	Position Number	Port Size	Button
Mechanical Valve	98 Series 86 Series	32: 3/2 way 52: 5/2 way	1: G 1/8" 2: G 1/4"	Blank: Plunger R: Roller TB: Selector knob LB: Long selector knob PB: Mushroom head button PP: Push button PPL: Raised push button EB: Emergency push button with lock



0726.175.111
0721.228.444
0754.075.656

COMPONENTE PNEUMATICE ȘI HIDRAULICE
COMPONENTE ELECTRICE
COMPONENTE MECANICE



AUTOMATIC INVEST
ROMANIA, IAȘI,
CALEA CHIȘINĂULUI, NR. 29

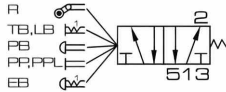


WWW.AUTOMATIC.RO
EMAIL
VANZARI@AUTOMATIC.RO

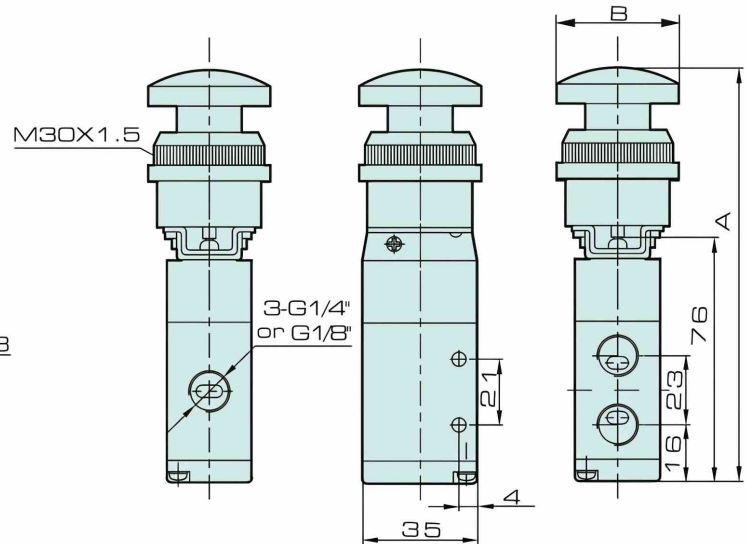
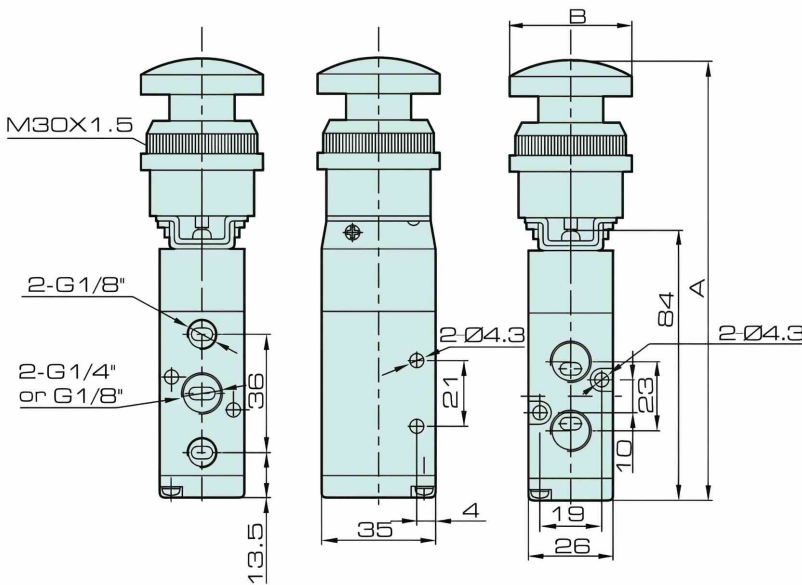
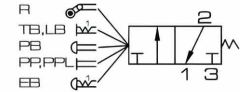
Specification

Model	MSV86321	MSV86522	MSV98322
Working Medium	40 Micron Filtered Air		
Valve Type	3/2 Way	5/2 Way	3/2 Way
Working Pressure	0 ~ 0.8 MPa	0 ~ 0.8 MPa	0 ~ 0.8 MPa
Ambient Temperature	-20 ~ 70°C		
Effective Cross Section Area	12mm ² (CV=0.67)	16mm ² (CV=0.89)	16mm ² (CV=0.89)
Port Size	G1/8"	G1/4"	G1/4"

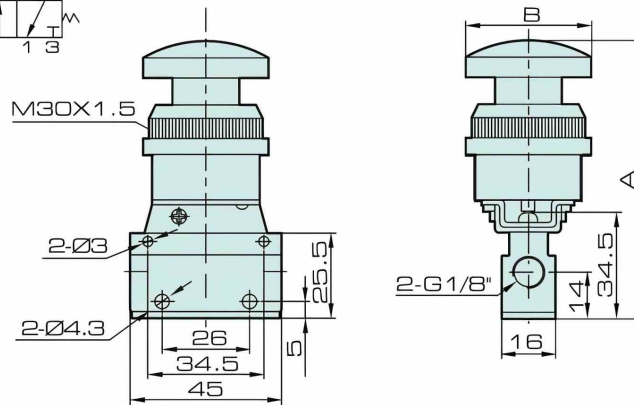
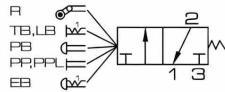
MSV86522



MSV98322



MSV86321



0726.175.111
0721.228.444
0754.075.656

COMPONENTE PNEUMATICE ŞI HIDRAULICE
COMPONENTE ELECTRICE
COMPONENTE MECANICE

AUTOMATIC INVEST
ROMANIA, IAŞI,
CALEA CHIŞINĂULUI, NR. 29

WWW.AUTOMATIC.RO
EMAIL
VANZARI@AUTOMATIC.RO

Dimension

Series	Symbol / Model	PP	PPL	LB	TB	EB	PB	R
MSV86522	A	114	119	133	136.5	134	131	107.5
	B	39.5	24.5	26.5	36.5	39.5	37.5	42.5
MSV98322	A	106	111	125	129.5	126	123	99.5
	B	39.5	24.5	26.5	36.5	39.5	37.5	42.5
MSV86321	A	66	71	85	88.5	86	83	59.5
	B	39.5	24.5	26.5	36.5	39.5	37.5	42.5

PP

PPL

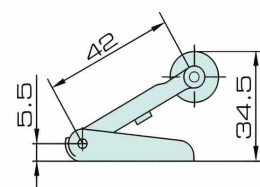
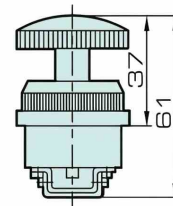
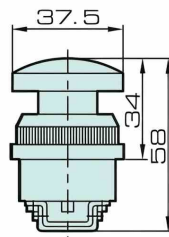
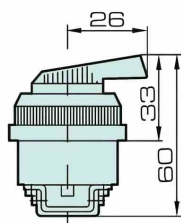
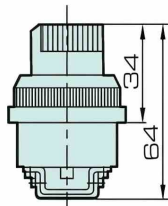
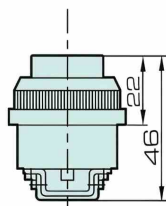
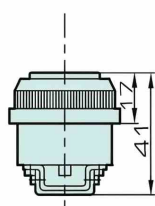
TB

LB

PB

EB

R



0726.175.111 | COMPONENTE PNEUMATICE ȘI HIDRAULICE
0721.228.444 | COMPONENTE ELECTRICE
0754.075.656 | COMPONENTE MECANICE



AUTOMATIC INVEST
ROMANIA, IAȘI,
CALEA CHIȘINĂULUI, NR. 29



WWW.AUTOMATIC.RO
EMAIL
VANZARI@AUTOMATIC.RO