



Life Is On

**Schneider**  
Electric

## Comutator De Picior Simplu - Ip55 - Fara Capac - Plastic - Galben - 1 Nc + 1 No

XPEY110



XPEG810



XPE110



XPEA110

### Foot switches without protective cover (1)

Description	Contact operation	Housing color	Reference	Weight kg/lb
<b>Plastic With trigger mechanism requiring positive action to allow pedal operation</b>	1 step 1 N/C + N/O	Grey	<b>XPEG810</b>	0.580/1.279
	2 step 2 N/C + N/O	Grey	<b>XPEG911</b>	0.580/1.279
<b>Plastic Without trigger mechanism</b>	1 step 1 N/C + N/O	Yellow	<b>XPEY110 (2)</b>	0.570/1.257
		Blue	<b>XPEB110</b>	0.570/1.257
		Grey	<b>XPEG110</b>	0.570/1.257
		Black	<b>XPEA110</b>	0.275/0.606
	2 N/C + N/O	Blue	<b>XPEB111</b>	0.570/1.257
		Grey	<b>XPEG111</b>	0.570/1.257
		Black	<b>XPEA111</b>	0.275/0.606
		2 step 2 N/C + N/O	Yellow	<b>XPEY211 (2)</b>
Blue	<b>XPEB211</b>		0.570/1.257	
Grey	<b>XPEG211</b>		0.570/1.257	



0726.175.111 | COMPONENTE PNEUMATICE ȘI HIDRAULICE  
0721.228.444 | COMPONENTE ELECTRICE  
0754.075.656 | COMPONENTE MECANICE



AUTOMATIC INVEST  
ROMANIA, IAȘI,  
CALEA CHIȘINĂULUI, NR. 29



WWW.AUTOMATIC.RO  
EMAIL  
VANZARI@AUTOMATIC.RO

## Principale

gama de produse	Harmony XPE
Tip produs sau componenta	Comutator de picior
material	Plastic
tip comutator de picior	Comutator de picior simplu
nume scurt al dispozitivului	XPEY
mecanism de declansare	Fara mecanism de declansare
operare contacte	1 treapta
tip si compozitie contacte	1 NC + 1 NO
culoare	Galben

## Mediu

standarde	SR EN 60947-5-1
tratament protector	TH
temperatura ambientală de funcționare	-25...55 °C
temperatura ambietala pentru depozitare	-40...70 °C
rezistența la vibrații	5 gn (f= 10...500 Hz) conformitate cu IEC 60068-2-6
rezistența la socuri	30 gn conformitate cu IEC 60068-2-27
categorie de supratensiune	Clasa II conformitate cu IEC 61140 Clasa II conformitate cu NF C 20-030
grad de protecție IP	IP55 conforming to SR EN 60529



0726.175.111 | COMPONENTE PNEUMATICE ȘI HIDRAULICE  
0721.228.444 | COMPONENTE ELECTRICE  
0754.075.656 | COMPONENTE MECANICE



AUTOMATIC INVEST  
ROMANIA, IAȘI,  
CALEA CHIȘINĂULUI, NR. 29



WWW.AUTOMATIC.RO  
EMAIL  
VANZARI@AUTOMATIC.RO

## Suplimentare

<b>deschidere pozitiva</b>	Cu conformitate cu SR EN 60947-5-1 appendix K
<b>conexiuni - borne</b>	Borna cu clema cu surub, $\leq 1 \times 2.5 \text{ mm}^2$ cu sau fără pini terminali Borna cu clema cu surub, $\leq 2 \times 1.5 \text{ mm}^2$ cu sau fără pini terminali
<b>intrare cablu</b>	2 orificii plane pentru presetupe de cabluri M20
<b>durabilitate mecanica</b>	5000000 cic
<b>[Ie] curent nominal de utilizare</b>	3 A, 240 V, AC-15, A300 0,27 A, 250 V, DC-13, Q300 conformitate cu SR EN 60947-5-1 appendix A
<b>[Ui] tensiune nominala de izolatie</b>	500 V (grad de poluare 3) conformitate cu IEC 60947-1 500 V (grad de poluare 3) conformitate cu NF C 20-040 group C 500 V (grad de poluare 3) conformitate cu VDE 0110 grupa C 300 V conformitate cu UL 60947-1 300 V conformitate cu CSA C22.2 No 15
<b>[Uimp] tensiune de tinere la impuls</b>	6 kV conformitate cu IEC 60947-1
<b>rezistenta maxima pe terminale</b>	25 M $\Omega$ conformitate cu IEC 60255-7 categoria 3 25 M $\Omega$ conformitate cu NF C 93-050 metoda A
<b>protectie la scurtcircuit</b>	10 A cartuş fuzibil tip gG conformitate cu SR EN 60947-5-1 10 A cartuş fuzibil tip gG conformitate cu VDE 0660-200
<b>putere nominala de functionare in W</b>	10 W DC-13, rata de funcţionare $<60 \text{ cic/mn}$ , 5000000 cic, 24 V, factor de sarcină: 0,5 conformitate cu SR EN 60947-5-1 appendix C 4 W DC-13, rata de funcţionare $<60 \text{ cic/mn}$ , 5000000 cic, 120 V, factor de sarcină: 0,5 conformitate cu SR EN 60947-5-1 appendix C 7 W DC-13, rata de funcţionare $<60 \text{ cic/mn}$ , 5000000 cic, 48 V, factor de sarcină: 0,5 conformitate cu SR EN 60947-5-1 appendix C
<b>greutate neta</b>	0,57 kg



0726.175.111  
0721.228.444  
0754.075.656

COMPONENTE PNEUMATICE ŞI HIDRAULICE  
COMPONENTE ELECTRICE  
COMPONENTE MECANICE

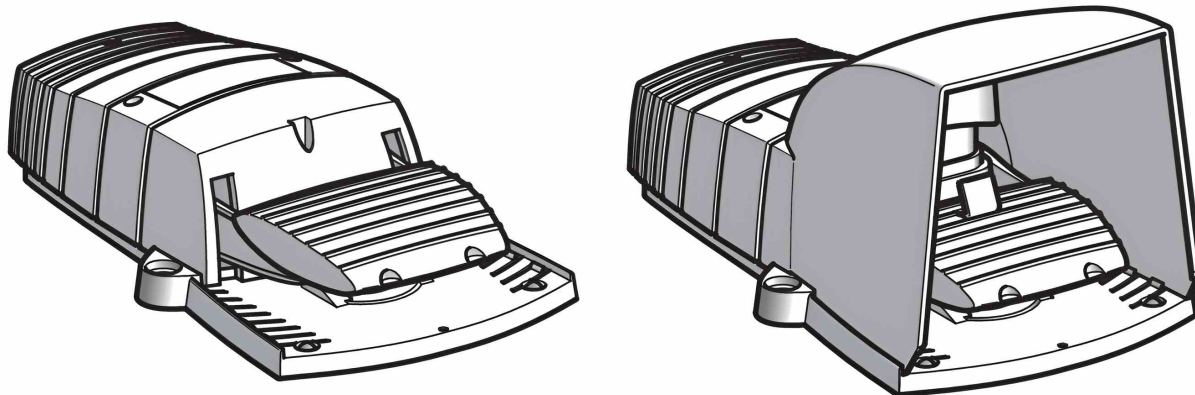


AUTOMATIC INVEST  
ROMANIA, IAŞI,  
CALEA CHIŞINĂULUI, NR. 29



WWW.AUTOMATIC.RO  
EMAIL  
VANZARI@AUTOMATIC.RO

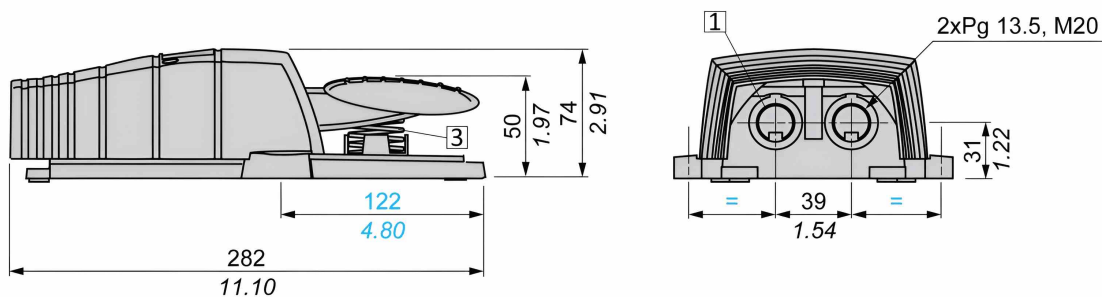
## Plastic foot switches



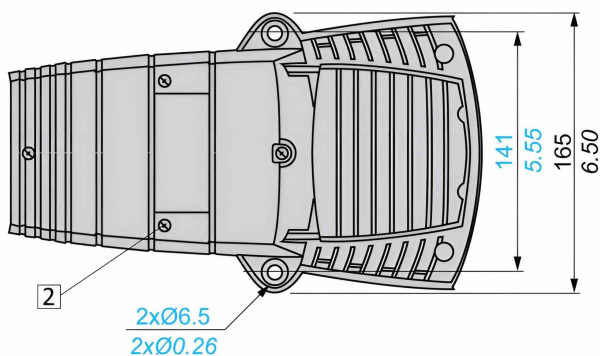
### English

The devices have been designed in compliance with the standards currently in effect: EN/IEC 60947, NF E 09-031 (only devices with blade locking) to ensure the safety of machine operators and operating reliability.

### Dimensions $\frac{\text{mm}}{\text{in.}}$



### Tightening torque 1.1+/-0.1 N•m 9.74+/-0.88 lb-in



- (1) 2 plain holes for ISO M20 or n° 13 (Pg 13.5) cable gland.
- (2) 4 cover fixing screws: stainless steel. Tightening torque: 1 N.m.
- (3) Return spring: stainless steel.



0726.175.111 | COMPONENTE PNEUMATICE ŞI HIDRAULICE  
0721.228.444 | COMPONENTE ELECTRICE  
0754.075.656 | COMPONENTE MECANICE



AUTOMATIC INVEST  
ROMANIA, IAŞI,  
CALEA CHIŞINĂULUI, NR. 29

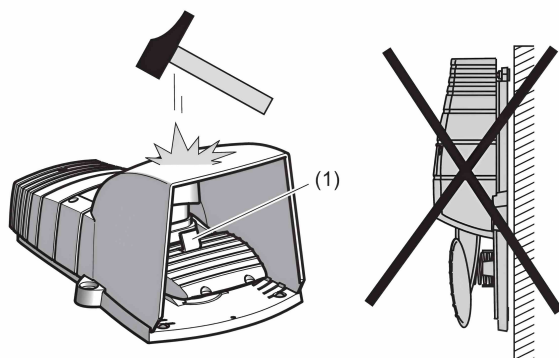


WWW.AUTOMATIC.RO  
EMAIL  
VANZARI@AUTOMATIC.RO

## Characteristics

<b>Ambient air temperature</b>	Operation : - 13° F to 158° F / Storage : -40° F to 158° F
<b>Vibration resistance</b>	5 gn (10-500 Hz) conforming to IEC 6068-2-6
<b>Shock resistance</b>	30 gn conforming to IEC 6068-2-27
<b>Protection against electric shock</b>	Class II as per IEC 60536
<b>Rated operating characteristics</b>	~ AC-15, A300 : Ue = 240V, Ie = 3A, --- DC-13, Q300 : Ue = 250V, Ie = 0.27A conforming to EN/IEC 60947-5-1
<b>Uimp</b>	6 kV
<b>Short-circuit protection</b>	10 A gG (gl) cartridge fuse (use type CC in the United States) conforming to EN/IEC 60947-5-1
<b>Cable entry</b>	2 plain holes for ISO M20 cable glands
<b>Degree of protection</b>	XPEB/G: IP66
<b>Mechanical durability</b>	XPEB/G = 10 million operating cycles

## Protection



The cover protects the pedal from being inadvertently actuated or objects being dropped on it, so as to prevent any possibility of the machine being started at the wrong time.

A blade (1) locking switches XPEB and XPEG in the non-actuated position increases operator safety, by locking the pedal in the non-actuated position.

### State of contacts when not actuated

<b>0 :</b> Not actuated	<b>2 :</b> 2nd notch
<b>1 :</b> 1st notch	■ - Contact closed (1) □ - Contact open (0)

