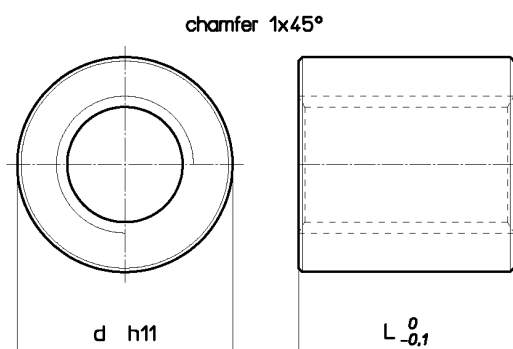


Trapezoidal nut type HDA - Cylindrical stainless steel

Material: INOX A1 - AISI 303 – 1.4305

Nut of AISI 303 stainless steel especially suitable to withstand corrosive chemical agents



Nut Stock no. RIGHT	Nut Stock no. LEFT	Diameter x lead	Thread starts	d mm	L mm	Wt. kg/each	At mm ² (1)
HDA 12 A R	HDA 12 A L	Tr 12x3	1	26	18	0.060	297
HDA 14 A R	HDA 14 A L	Tr 14x4	1	30	21	0.095	395
HDA 16 A R	HDA 16 A L	Tr 16x4	1	36	24	0.157	528
HDA 20 A R	HDA 20 A L	Tr 20x4	1	45	30	0.305	847
HDA 24 A R	HDA 24 A L	Tr 24x5	1	50	36	0.436	1215
HDA 30 A R	HDA 30 A L	Tr 30x6	1	60	45	0.766	1908
HDA 36 A R	HDA 36 A L	Tr 36x6	1	75	54	1.462	2799
HDA 40 A R	HDA 40 A L	Tr 40x7	1	80	60	1.808	3440
HDA 50 A R	HDA 50 A L	Tr 50x8	1	90	75	2.653	5418

(1) Total bearing surface between screw and nut teeth on plane perpendicular to axis.