

## Contactori Magnetici MC130-MC800



Frame size				150AF		225AF	
Type	screws clamp terminals			MC-130a	MC-150a	MC-185a	MC-225a
Number of poles				3pole		3pole	
Rated operational voltage, Ue				690V		690V	
Rated insulation voltage, Ui				1000V		1000V	
Rated frequency				50/60Hz		50/60Hz	
Rated impulse withstand voltage, Uimp				8kV		8kV	
Maximum operating rate in operating cycles per hour(AC3)				1200 operations per hour		1200 operations per hour	
Durability	Mechanical			5 mil. operations		5 mil. operations	
	Electrical			1 mil. operations		1 mil. operations	
Current and power	AC-1, Thermal current	A		160	210	230	275
	AC-3	200/240V	kW	37	45	55	75
			A	130	150	185	225
		380/440V	kW	60	75	90	132
			A	130	150	185	225
		500/550V	kW	60	70	110	132
			A	90	100	180	200
	690V	kW	55	55	110	140	
		A	60	60	120	150	
UL rating (50/60Hz)	Continuous current		A	160	210	230	275
	Single phase	110~120V	HP	10	15	15	15
		220~240V	HP	20	25	30	40
	Three phase	200~208V	HP	40	40	60	60
		220~240V	HP	40	50	60	75
		440~480V	HP	75	100	125	150
		550~600V	HP	75	75	125	150
NEMA size			3	4	4	4	
Size and weight	AC control	Weight	kg	2.4		5.4	
		Size(W × H × D)	mm	95 × 158 × 132		138 × 203 × 181	
	DC control	Weight	kg	2.3			
		Size(W × H × D)	mm	95 × 158 × 132			
Auxiliary(standard)						<b>2a2b</b>	
Auxiliary	Side mount			UA-1		AU-100 (Max.4NO4NC)	
	Front mount			AU-2, AU-4		-	





### 400AF

MC-265a	MC-330a	MC-400a
●	●	●
	3pole	
	690V	
	1000V	
	50/60Hz	
	8kV	
	1200 operations per hour	
5 mil. operations		2.5 mil. operations
1 mil. operations		0.5 mil. operations
300	350	450
80	90	125
265	330	400
147	160	200
265	330	400
147	160	225
225	280	350
160	200	250
185	225	300
300	350	450
-	-	-
-	-	-
75	100	125
100	125	150
200	250	300
200	250	300
5	5	5

9.2

163 × 243 × 198

### 2a2b

AU-100 (Max.4NO4NC)



### 800AF

MC-500a	MC-630a	MC-800a
●	●	●
	3pole	
	690V	
	1000V	
	50/60Hz	
	8kV	
	1200 operations per hour	
	2.5 mil. operations	
	0.5 mil. operations	
580	660	900
147	190	220
500	630	800
265	330	440
500	630	800
265	330	500
400	500	720
300	400	500
380	420	630
580	660	900
-	-	-
-	-	-
150	200	200
200	250	300
400	500	600
400	500	600
6	6	7

22.4

285 × 312 × 242

### 2a2b

AU-100 (Max.4NO4NC)



0726.175.111 | COMPONENTE PNEUMATICE ŞI HIDRAULICE  
0721.228.444 | COMPONENTE ELECTRICE  
0754.075.656 | COMPONENTE MECANICE



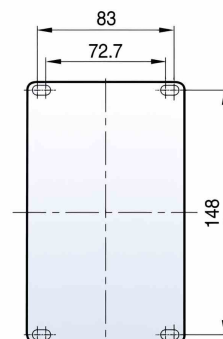
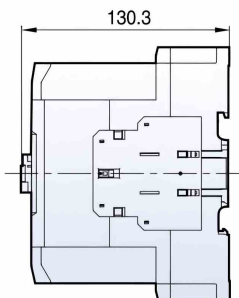
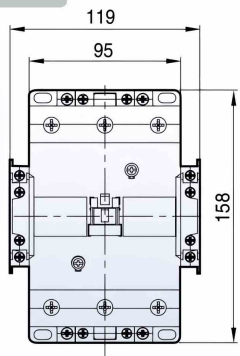
AUTOMATIC INVEST  
ROMANIA, IAŞI,  
CALEA CHIŞINĂULUI, NR. 29



WWW.AUTOMATIC.RO  
EMAIL  
VANZARI@AUTOMATIC.RO

MC-130a

MC-150a

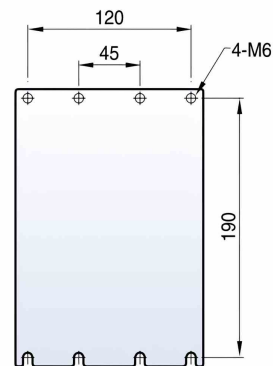
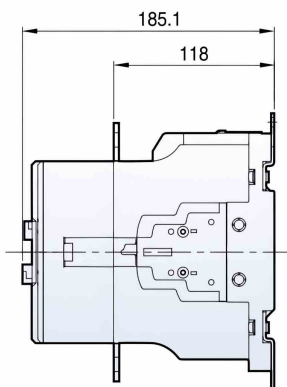
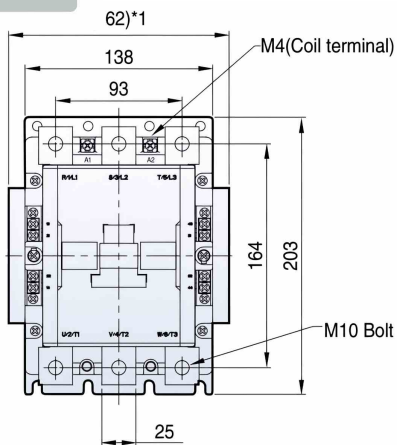


[mm]

2.4kg

MC-185a

MC-225a



5.4kg



0726.175.111 | COMPONENTE PNEUMATICE ȘI HIDRAULICE  
0721.228.444 | COMPONENTE ELECTRICE  
0754.075.656 | COMPONENTE MECANICE



AUTOMATIC INVEST  
ROMANIA, IAȘI,  
CALEA CHIȘINĂULUI, NR. 29

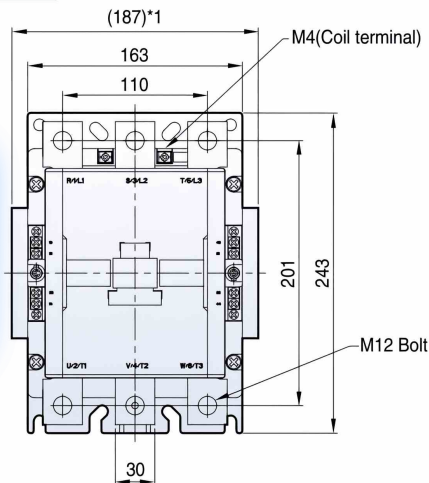


WWW.AUTOMATIC.RO  
EMAIL  
VANZARI@AUTOMATIC.RO

MC-265a

MC-330a

MC-400a

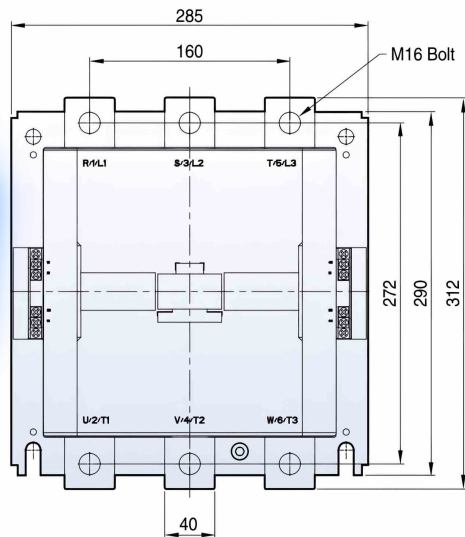


9.2kg

MC-500a

MC-630a

MC-800a



22.4kg



0726.175.111 | COMPONENTE PNEUMATICE ȘI HIDRAULICE  
0721.228.444 | COMPONENTE ELECTRICE  
0754.075.656 | COMPONENTE MECANICE



AUTOMATIC INVEST  
ROMANIA, IAȘI,  
CALEA CHIȘINĂULUI, NR. 29



WWW.AUTOMATIC.RO  
EMAIL  
VANZARI@AUTOMATIC.RO