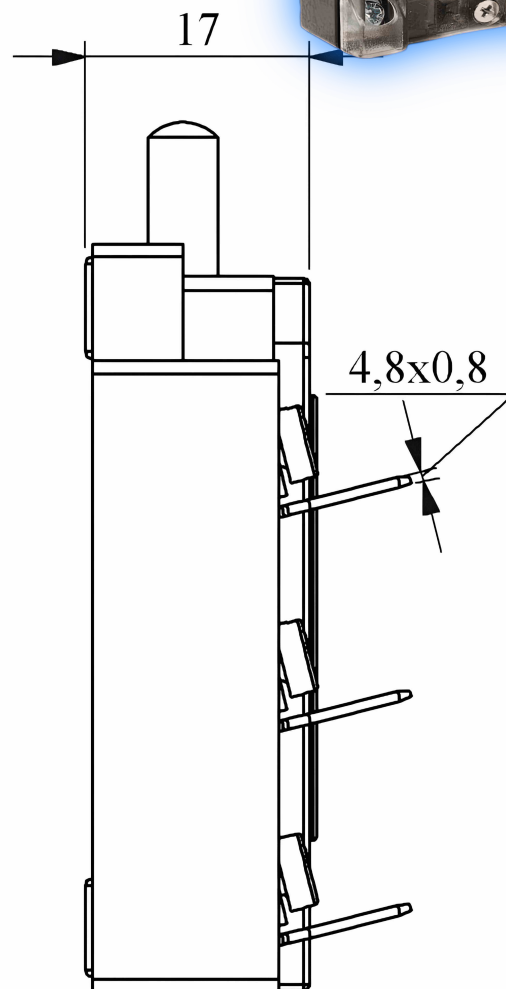
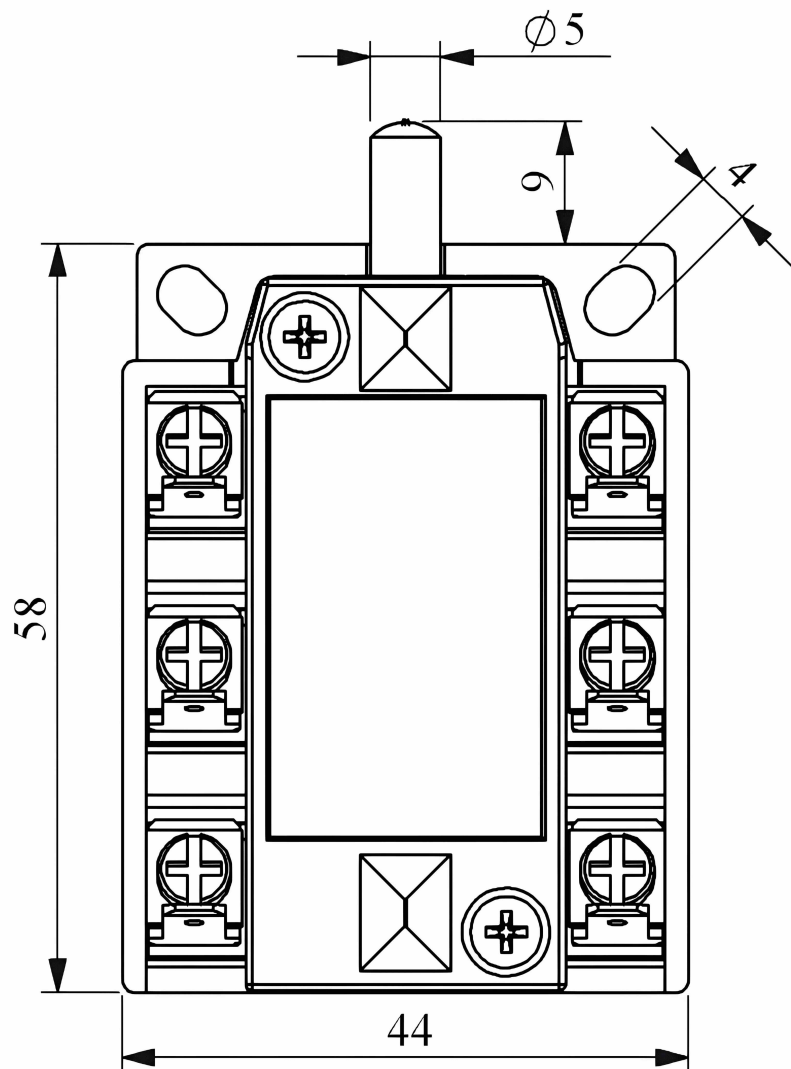
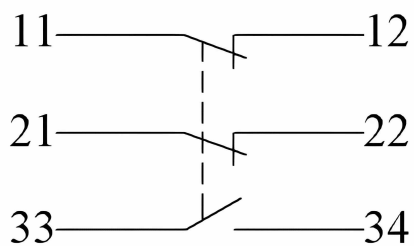


Întreprupator Seria MV K25001T



Devre Şemasi



0726.175.111 | COMPONENTE PNEUMATICE ŞI HIDRAULICE
0721.228.444 | COMPONENTE ELECTRICE
0754.075.656 | COMPONENTE MECANICE



AUTOMATIC INVEST
ROMANIA, IAŞI,
CALEA CHIŞINĂULUI, NR. 29



WWW.AUTOMATIC.RO
EMAIL
VANZARI@AUTOMATIC.RO



K25001T

Connection Type		with Terminal
Product		Cell Switch
Contact		1NO+2NC
Current	Ie	2 A (250V AC)
Usage Category		AC15
Mechanical Life	Min Qty	1000000
Electrical Life	Min Qty	100000
Operating Frequency	On-Off/Hour	Mech. 3000 Elec. 1200
Insulation Voltage	Ui	300 V
Impulse Withstand Voltage	Uimp	2.5 kV
Dielectric Strength (Body-Contact)		2.500V AC
Dielectric Strength (Contact-Contact)		1.500V AC
Isolation Resistance		10 MΩ min. (500V DC)
Operating Temperature		-25 / +80 °C
Pollution Degree		3
Protection Degree		IP20
Contact Material		AgNi
Cable Section		Terminal 6,3*0,8 mm
Short Circuit Breaking Capacity	Ics	1 kA
Serial		K Series
Specifications	Maximum product reliability with Bacalite body	
Standards / Certificates	TS EN 60947-5-1	

