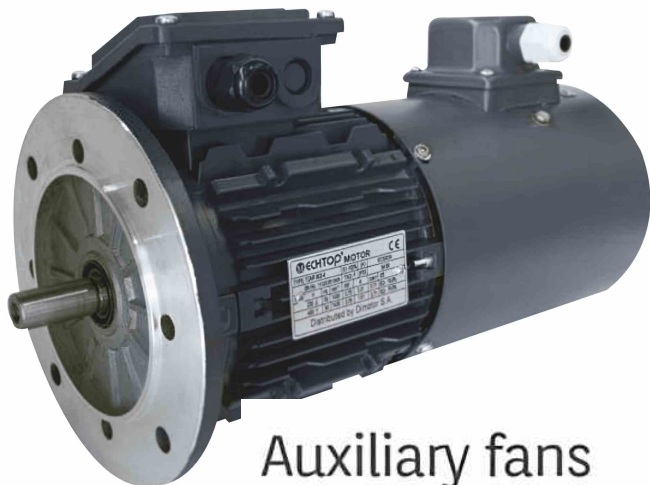


Motoare Cu Flanșă



Auxiliary fans

Motor size	Voltage	Output(W)	Current (A)	Speed (rpm)	Air Volume(m3/h)	Air Pressure (Pa)	Noise dB(A)
112	400/690V 50HZ	90	0.25/0.14	2600	229	80	67
132	400/690V 50HZ	60	0.21/0.12	1450	337	35	69
160	400/690V 50HZ	80	0.25/0.14	1400	609	40	72
180	400/690V 50HZ	90	0.27/0.15	1400	686	55	72
200	400/690V 50HZ	130	0.30/0.17	1400	1679	65	72
225	400/690V 50HZ	100	0.38/0.22	1450	1786	70	74
250	400/690V 50HZ	150	0.52/0.30	1420	1813	80	75
280	400/690V 50HZ	220	0.55/0.32	1400	2415	85	78
315	400/690V 50HZ	450	0.90/0.50	1300	2820	110	81
355	400/690V 50HZ	300	1.25/0.70	900	3500	80	85

Motor size	Voltage	Output(W)	Current (A)	Speed (rpm)	Air Volume(m3/h)	Air Pressure (Pa)	Noise dB(A)
71	415V/50HZ	40	0,1	2850	52	50	62
	415V/60HZ	35	0,08	3400			
80	415V/50HZ	40	0,1	2800	58	60	62
	415V/60HZ	35	0,08	3300			
90	415V/50HZ	40	0,1	2700	91	80	65
	415V/60HZ	40	0,08	3100			
100	415V/50HZ	95	0,24	2800	142	80	67
	415V/60HZ	80	0,17	3250			
112	415V/50HZ	100	0,24	2700	229	80	67
	415V/60HZ	105	0,19	3000			



0726.175.111 | COMPONENTE PNEUMATICE ȘI HIDRAULICE
0721.228.444 | COMPONENTE ELECTRICE
0754.075.656 | COMPONENTE MECANICE



AUTOMATIC INVEST
ROMANIA, IAȘI,
CALEA CHIȘINĂULUI, NR. 29



WWW.AUTOMATIC.RO
EMAIL
VANZARI@AUTOMATIC.RO

Motor size	Voltage	Output(W)	Current (A)	Speed (rpm)	Air Volume(m3/h)	Air Pressure (Pa)	Noise dB(A)
63	230/400V/50HZ	24	0,065	2800	45	40	62
	230/400V/60HZ	25	0,06	3300			
	460-480V/60HZ	32	0,07	3400			
71	230/400V/50HZ	35	0,1	2800	52	50	62
	230/400V/60HZ	25	0,07	3300			
	460-480V/60HZ	33	0,07	3300			
80	230/400V/50HZ	37	0,1	2700	58	60	62
	230/400V/60HZ	30	0,07	3100			
	460-480V/60HZ	35	0,08	3400			
90	230/400V/50HZ	45	0,1	2500	91	80	65
	230/400V/60HZ	45	0,08	2800			
	460-480V/60HZ	50	0,08	3200			
100	230/400V/50HZ	72	0,185	2750	142	80	67
	230/400V/60HZ	69	0,14	3150			
	460-480V/60HZ	75	0,13	3250			
112	230/400V/50HZ	85	0,175	2600	229	80	67
	230/400V/60HZ	95	0,16	2800			
	460-480V/60HZ	110	0,21	3000			
132	230/400V/50HZ	50	0,195	1450	337	35	69
	230/400V/60HZ	50	0,155	1650			
	460-480V/60HZ	60	0,2	1700			
160	230/400V/50HZ	60	0,2	1400	609	40	72
	230/400V/60HZ	72	0,18	1600			
	460-480V/60HZ	110	0,29	1600			
180	230/400V/50HZ	80	0,22	1350	686	55	72
	230/400V/60HZ	100	0,2	1500			
	460-480V/60HZ	145	0,32	1600			
200	230/400V/50HZ	110	0,23	1250	1679	65	72
	230/400V/60HZ	140	0,25	1300			
	460-480V/60HZ	155	0,32	1600			
225	230/400V/50HZ	170	0,37	1350	1786	70	74
	230/400V/60HZ	250	0,43	1500			
	460-480V/60HZ	240	0,45	1550			
250	230/400V/50HZ	200	0,55	1400	1813	80	75
	230/400V/60HZ	260	0,55	1600			
	460-480V/60HZ	300	0,59	1650			
280	230/400V/50HZ	200	0,5	1350	2415	85	78
	230/400V/60HZ	280	0,55	1500			
	460-480V/60HZ	270	0,6	1700			
315	230/400V/50HZ	350	0,75	1400	2820	110	81
	230/400V/60HZ	500	0,95	1550			
	460-480V/60HZ	400	1,2	1650			
355	230/400V/50HZ	280	1,4	960	3500	80	85
	230/400V/60HZ	350	1,1	1100			
	460-480V/60HZ	400	1,4	1050			



0726.175.111 | COMPONENTE PNEUMATICE ȘI HIDRAULICE
 0721.228.444 | COMPONENTE ELECTRICE
 0754.075.656 | COMPONENTE MECANICE



AUTOMATIC INVEST
 ROMANIA, IAȘI,
 CALEA CHIȘINĂULUI, NR. 29



WWW.AUTOMATIC.RO
 EMAIL
 VANZARI@AUTOMATIC.RO



Auxilairy fans single phase

Motor size	Voltage	Output (W)	Current (A)	Speed (rpm)	Air Volume (m3/h)	Air Pressure (Pa)	Capacitor μ F	Noise dB(A)
63	230V/50HZ	17	0,12	2800	45	40	1	62
71	230V/50HZ	18	0,13	2800	52	50	1	62
80	230V/50HZ	19	0,15	2800	58	60	1	62
90	230V/50HZ	20	0,14	2800	91	80	1	65
100	230V/50HZ	55	0,3	2700	142	80	2	67
112	230V/50HZ	65	0,37	2400	229	80	2	67
132	230V/50HZ	55	0,35	1400	337	35	2	69
160	230V/50HZ	70	0,4	1400	609	40	4	72
180	230V/50HZ	80	0,4	1200	686	55	4	72
200	230V/50HZ	85	0,4	1200	1679	65	4	72
225	230V/50HZ	150	0,7	1300	1786	70	8	74
250	230V/50HZ	195	0,98	1350	1813	80	10	75
280	230V/50HZ	170	0,95	1400	2415	85	10	78
315	230V/50HZ	500	2,5	1400	2820	110	12	81
355	230V/50HZ	500	2,6	950	3500	80	16	85



0726.175.111 | COMPONENTE PNEUMATICE ŞI HIDRAULICE
0721.228.444 | COMPONENTE ELECTRICE
0754.075.656 | COMPONENTE MECANICE



AUTOMATIC INVEST
ROMANIA, IAŞI,
CALEA CHIŞINĂULUI, NR. 29

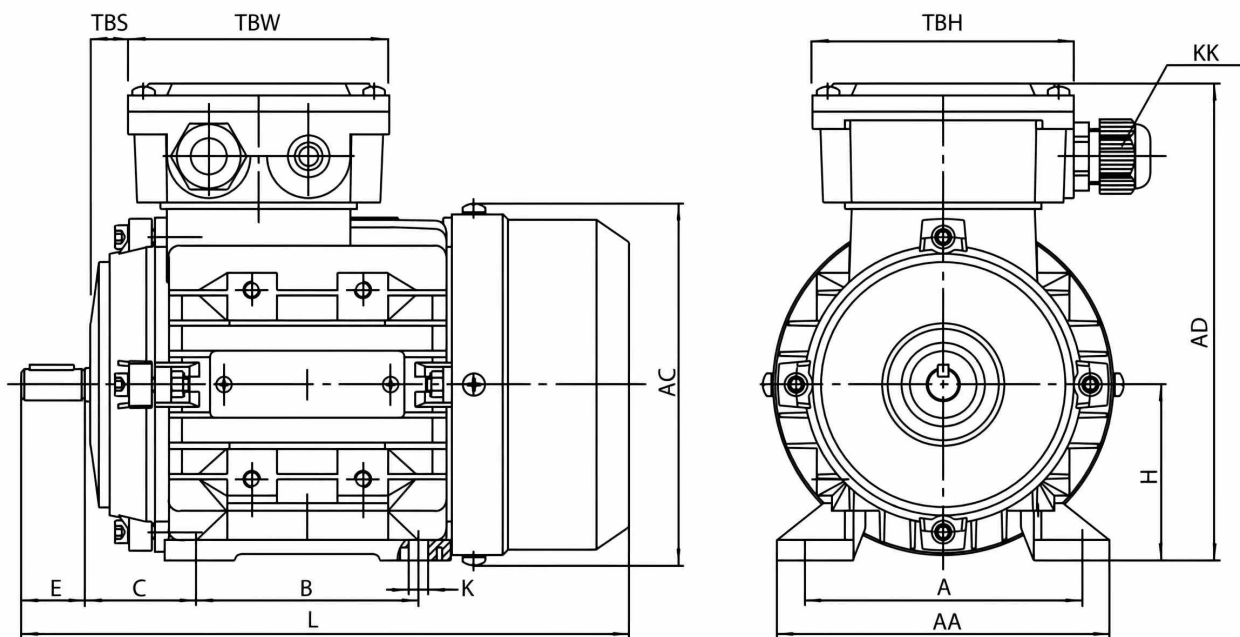


WWW.AUTOMATIC.RO
EMAIL
VANZARI@AUTOMATIC.RO

Motor size	Voltage	Output (W)	Current (A)	Speed (rpm)	Air Volume (m3/h)	Air Pressure (Pa)	Capacitor μ F	Noise dB(A)
71	240V/50HZ	35	0,15	2800	52	50	1,2	62
80	240V/50HZ	35	0,15	2750	58	60	1,2	62
90	240V/50HZ	40	0,15	2550	91	80	1,2	65
100	240V/50HZ	75	0,36	2800	142	80	2	67
112	240V/50HZ	80	0,37	2600	229	80	2	67
112	230V/50HZ	65	0,37	2400	229	80	2	67

Motor size	Voltage	Output (W)	Current (A)	Speed (rpm)	Air Volume (m3/h)	Air Pressure (Pa)	Capacitor μ F	Noise dB(A)
71	240V/60HZ	35	0,14	3300	52	50	1,2	62
80	240V/60HZ	35	0,14	3250	58	60	1,2	62
90	240V/60HZ	40	0,15	2900	91	80	1,2	65
100	240V/60HZ	75	0,35	3250	142	80	2	67
112	240V/60HZ	95	0,42	2900	229	80	2	67

Measures in mm



IM B3



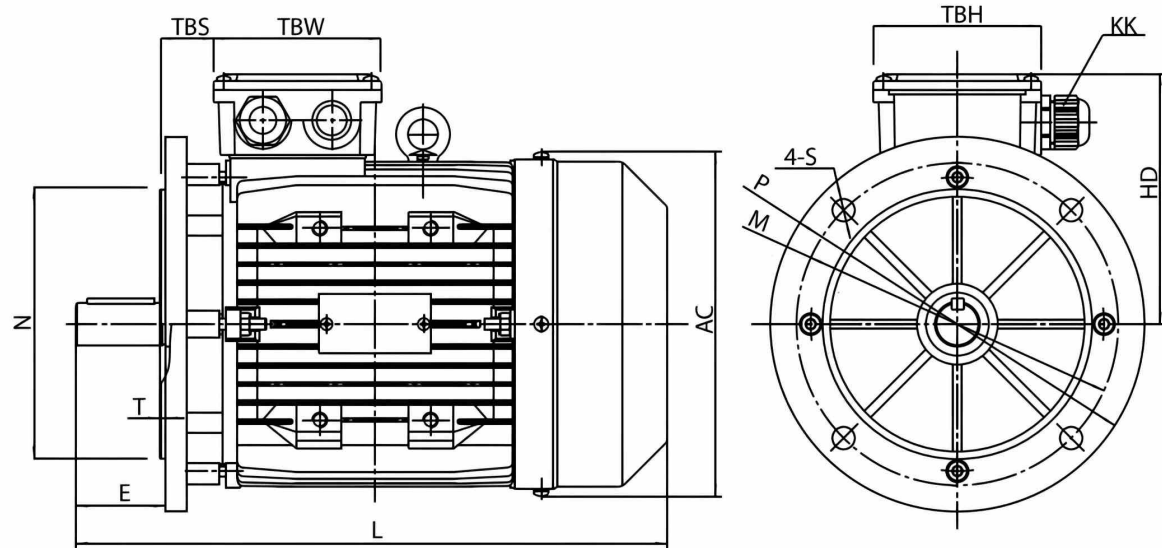
0726.175.111 | COMPONENTE PNEUMATICE ȘI HIDRAULICE
0721.228.444 | COMPONENTE ELECTRICE
0754.075.656 | COMPONENTE MECANICE



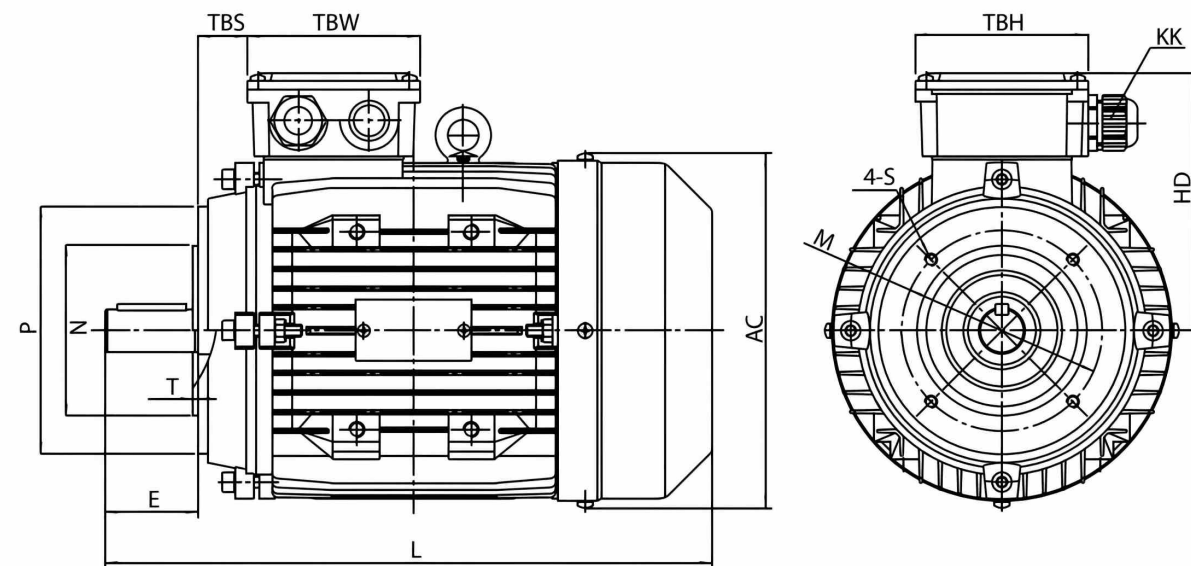
AUTOMATIC INVEST
ROMANIA, IAȘI,
CALEA CHIȘINĂULUI, NR. 29



WWW.AUTOMATIC.RO
EMAIL
VANZARI@AUTOMATIC.RO



IM B5



IM B14



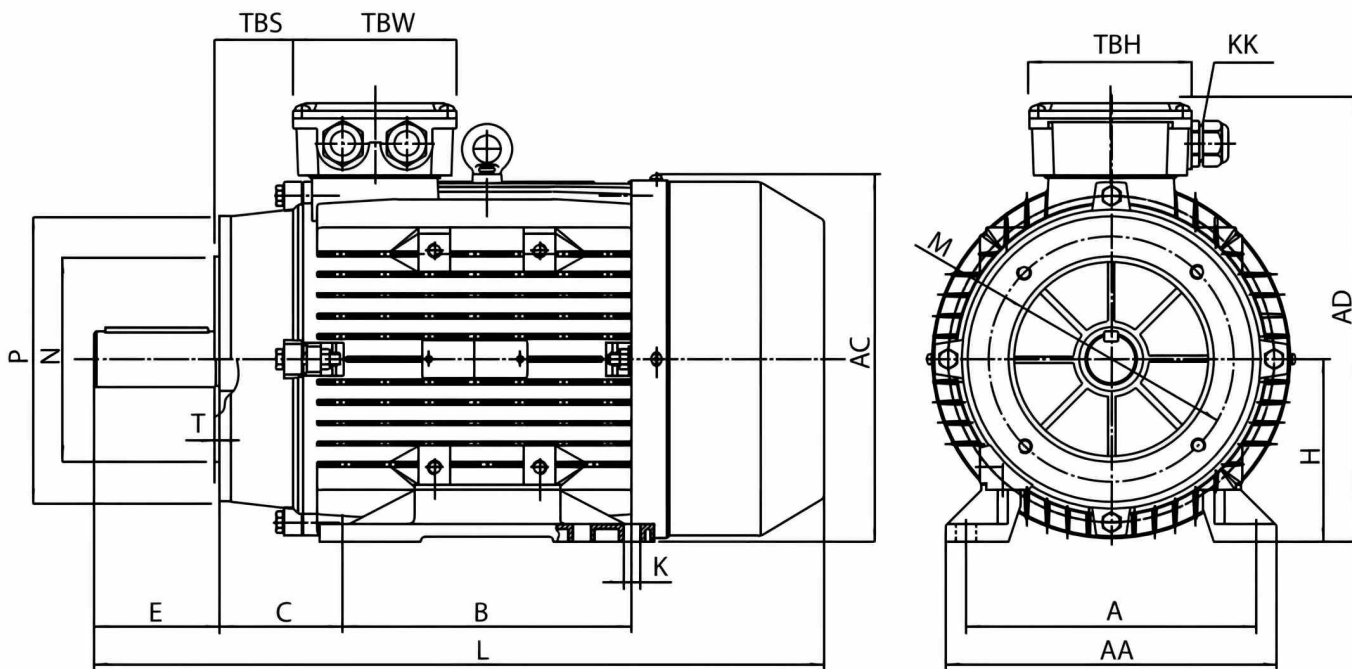
0726.175.111 | COMPONENTE PNEUMATICE ŞI HIDRAULICE
0721.228.444 | COMPONENTE ELECTRICE
0754.075.656 | COMPONENTE MECANICE



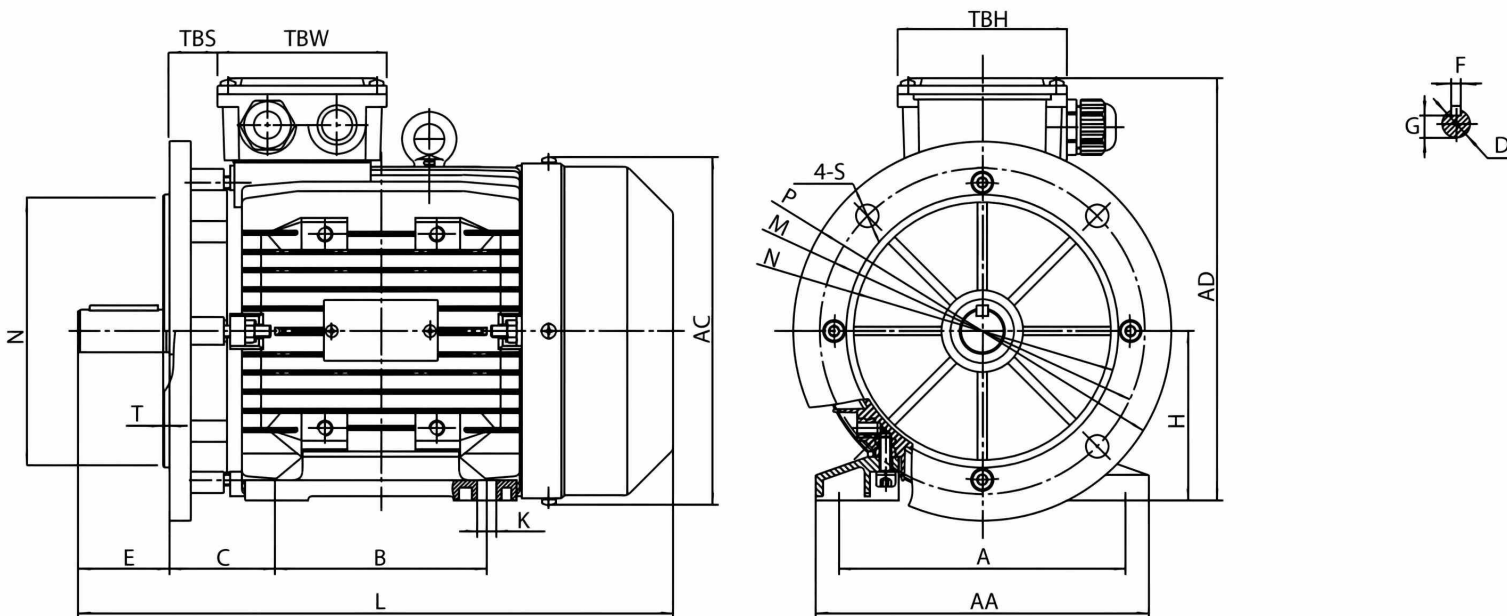
AUTOMATIC INVEST
ROMANIA, IAŞI,
CALEA CHIŞINĂULUI, NR. 29



WWW.AUTOMATIC.RO
EMAIL
VANZARI@AUTOMATIC.RO



IM B34



IM B35



0726.175.111 | COMPONENTE PNEUMATICE ȘI HIDRAULICE
0721.228.444 | COMPONENTE ELECTRICE
0754.075.656 | COMPONENTE MECANICE



AUTOMATIC INVEST
ROMANIA, IAȘI,
CALEA CHIȘINĂULUI, NR. 29



WWW.AUTOMATIC.RO
EMAIL
VANZARI@AUTOMATIC.RO

Frame size	B3					Shaft							General								
	H	A	B	C	K	D	E	F	G	SS	XX	ZZ	AA	AD	HD	AC	L	KK	TBS	TBW	TBH
56	56	90	71	36	5.8X8.8	Ø9	20	3	7.2	M3	9	12	110	156	100	Ø117	196	1-M16X1.5	14	88	88
63	63	100	80	40	7X10	Ø11	23	4	8.5	M4	10	14	120	171	108	Ø130	220	1-M16X1.5	14	94	94
71	71	112	90	45	7X10	Ø14	30	5	11	M5	12	17	132	186	115	Ø147	241	1-M20X1.5	20	94	94
80	80	125	100	50	10X13	Ø19	40	6	15.5	M6	16	21	160	213	133	Ø163	290	1-M20X1.5	27	105	105
90S	90	140	100	56	10X13	Ø24	50	8	20	M8	19	25	175	229	139	Ø183	312	1-M20X1.5	30	105	105
90L1/L2	90	140	125	56	10X13	Ø24	50	8	20	M8	19	25	175	229	139	Ø183	337/367	1-M20X1.5	30	105	105
100	100	160	140	63	12X15	Ø28	60	8	24	M10	22	30	198	252	152	Ø205	369	2-M20X1.5	26	105	105
112	112	190	140	70	12X15	Ø28	60	8	24	M10	22	30	220	279	167	Ø229	395	2-M25X1.5	32	112	112
132S	132	216	140	89	12X15	Ø38	80	10	33	M12	28	37	252	318	186	Ø265	437	2-M25X1.5	38	112	112
132M/L	132	216	178	89	12X15	Ø38	80	10	33	M12	28	37	252	318	186	Ø265	475/501	2-M25X1.5	38	112	112
160M/L	160	254	210/254	108	15X19	Ø42	110	12	37	M16	36	45	290	384	224	Ø325	640	2-M32X1.5	64	143	143
180M/L	180	279	241/279	121	15X25	Ø48	110	14	42.5	M16	36	45	340	440	260	Ø368	730	2-M32X1.5	73	190	190
200L	200	318	305	133	19X29	Ø55	110	16	49	M20	42	53	390	460	260	Ø368	745	2-M40X1.5	85	190	190

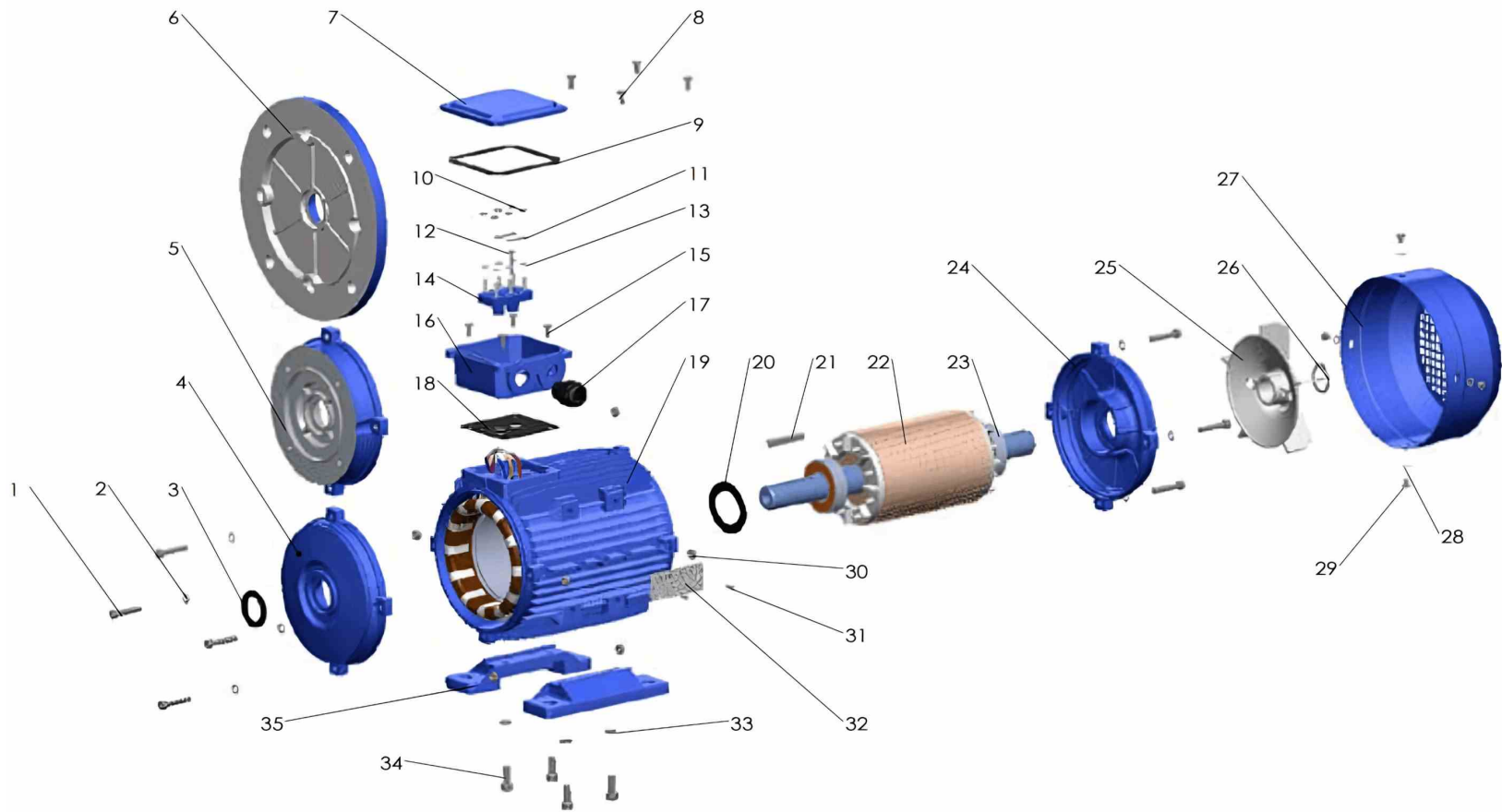
Frame size	B5						BSR						B14						B14B					
	M	N	P	T	S	R	M	N	P	T	S	R	N	M	P	T	S	R	N	M	P	T	S	R

56	Ø100	Ø80	Ø120	3.0	Ø7	0							Ø50	Ø65	Ø80	2.5	M5	0						
63	Ø115	Ø95	Ø140	3.0	Ø10	0							Ø60	Ø75	Ø90	2.5	M5	0	Ø80	Ø100	Ø120	3.0	M6	0
71	Ø130	Ø110	Ø160	3.5	Ø10	0	Ø115	Ø95	Ø140	3.5	Ø10	0	Ø70	Ø85	Ø105	2.5	M6	0	Ø95	Ø115	Ø140	3.0	M8	0
80	Ø165	Ø130	Ø200	3.5	Ø12	0	Ø130	Ø110	Ø160	3.5	Ø10	0	Ø80	Ø100	Ø120	3.0	M6	0	Ø110	Ø130	Ø160	3.5	M8	0
90S	Ø165	Ø130	Ø200	3.5	Ø12	0	Ø130	Ø110	Ø160	3.5	Ø10	0	Ø95	Ø115	Ø140	3.0	M8	0	Ø110	Ø130	Ø160	3.5	M8	0
90L1/L2	Ø165	Ø130	Ø200	3.5	Ø12	0	Ø130	Ø110	Ø160	3.5	Ø10	0	Ø95	Ø115	Ø140	3.0	M8	0	Ø110	Ø130	Ø160	3.5	M8	0
100	Ø215	Ø180	Ø250	4.0	Ø15	0	Ø165	Ø130	Ø200	4.0	Ø12	0	Ø110	Ø130	Ø160	3.5	M8	0	Ø130	Ø165	Ø200	3.5	M10	0
112	Ø215	Ø180	Ø250	4.0	Ø15	0	Ø165	Ø130	Ø200	4.0	Ø12	0	Ø110	Ø130	Ø160	3.5	M8	0	Ø130	Ø165	Ø200	3.5	M10	0
132S	Ø265	Ø230	Ø300	4.0	Ø15	0	Ø215	Ø180	Ø250	4.0	Ø15	0	Ø130	Ø165	Ø200	4.0	M10	0	Ø180	Ø215	Ø250	4.0	M12	0
132M/L	Ø265	Ø230	Ø300	4.0	Ø15	0	Ø215	Ø180	Ø250	4.0	Ø15	0	Ø130	Ø165	Ø200	4.0	M10	0	Ø180	Ø215	Ø250	4.0	M12	0
160M/L	Ø300	Ø250	Ø350	5.0	Ø19	0							Ø180	Ø215	Ø250	4.0	M12	0						
180M/L	Ø300	Ø250	Ø350	5.0	Ø19	0																		
200L	Ø350	Ø300	Ø400	5.0	Ø19	0																		

0726.175.111 | COMPONENTE PNEUMATICE ŞI HIDRAULICE
0721.228.444 | COMPONENTE ELECTRICE
0754.075.656 | COMPONENTE MECANICE

AUTOMATIC INVEST
ROMANIA, IAŞI,
CALEA CHIŞINĂULUI, NR. 29

WWW.AUTOMATIC.RO
EMAIL
VANZARI@AUTOMATIC.RO



- | | | |
|-------------------------------|--------------------------------|-----------------------------|
| 1. Screw | 13. Terminal shim | 25. Cooling fan |
| 2. Gasket | 14. Terminal board | 26. Fan circlip |
| 3. Oil seal | 15. Terminal box fixing screws | 27. Fan cover |
| 4. DE endshleld | 16. Terminal box case | 28. Fan cover fixing shim |
| 5. B14 Flange | 17. Cable gland | 29. Fan cover fixing screws |
| 6. B5 Flange | 18. Terminal box bottomgasket | 30. Endshiels fixing nut |
| 7. Terminal box cover | 19. Frame | 31. Rivet |
| 8. Terminal box fixing screws | 20. Preload washer | 32. Nameplate |
| 9. Terminal box upper gasket | 21. Key | 33. Foot fixing nut |
| 10. Terminal box fixing nut | 22. Rotor | 34. Foot fixing screws |
| 11. Terminal bridge | 23. Bearing | 35. Foot |
| 12. Terminal pin | 24. NDE endshield | |



0726.175.111 | COMPONENTE PNEUMATICE ŞI HIDRAULICE
0721.228.444 | COMPONENTE ELECTRICE
0754.075.656 | COMPONENTE MECANICE



AUTOMATIC INVEST
ROMANIA, IAŞI,
CALEA CHIŞINĂULUI, NR. 29



WWW.AUTOMATIC.RO
EMAIL
VANZARI@AUTOMATIC.RO