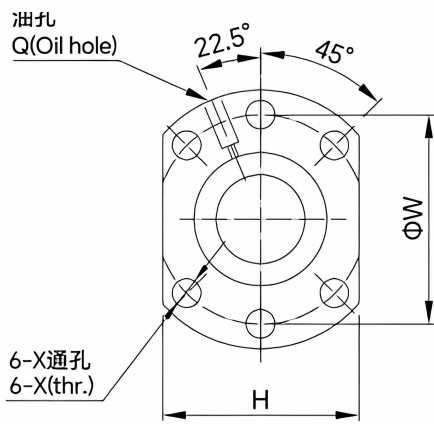




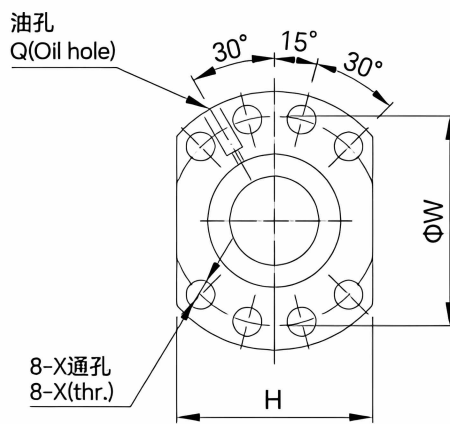
Piuliță Cu Bile SFU / SFNU - ATM

▶ 法兰型 SFU 系列 Flange Type SFU Series

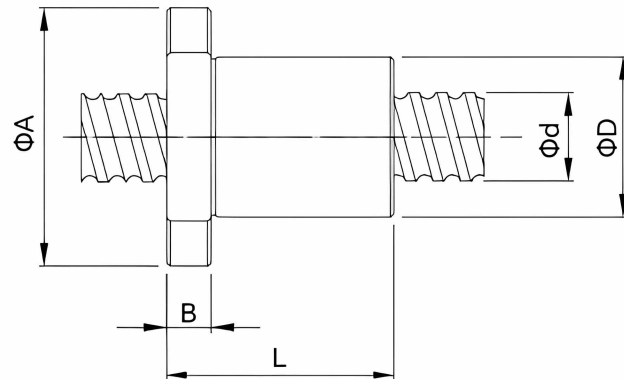
ATM



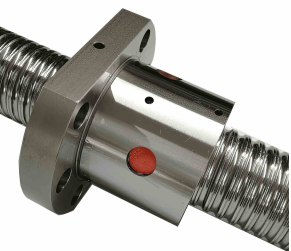
d ≤ 32



d ≥ 40



单位 Unit : mm



型号 Model No.	直径 d	导程 l	珠径 Da	螺母尺寸 Dimension									动静 额定负荷 Load Rating		刚性 Rigidity	重量 Weight
				D	A	B	L	W	H	X	Q	n	Ca(kgf)	Coa(kgf)	Kgf/um	Kg
SFU1204-3 ☆	12	4	2.381	22/24	42	8	35	32	30	4.5	M5	1x3	902	1884	26	0.138
SFU1604-4	16	4	2.381	28	48	10	40	38	40	5.5	M6	1x4	973	2406	32	0.184
SFU1605-3/4 ☆		5	3.175	28	48	10	42/50	38	40	5.5	M6	1x3/4	1380	3052	32	0.19
SFU1610-2/3 ☆	16	10	3.175	28	48	10	44/57	38	40	5.5	M6	1x2/3	1103	2401	26	0.22
SFU2004-4		4	2.381	36	58	10	42	47	44	6.6	M6	1x4	1066	2987	38	0.294
SFU2005-3/4 ☆	20	5	3.175	36	58	10	44/51	47	44	6.6	M6	1x3/4	1551	3875	38	0.316
SFU2010-2/3		10	3.175	36	58	10	44/60	47	44	6.6	M6	1x4/3	1551	3875	38	0.32
SFU2504-4	25	4	2.381	40	62	10	42	51	48	6.6	M6	1x4	1180	3795	43	0.384
SFU2505-3/4 ☆		5	3.175	40	62	10	44/51	51	48	6.6	M6	1x3/4	1724	4904	45	0.35
SFU2510-3/4 ☆		10	4.762	40	62	12	70/85	51	48	6.6	M6	1x3/4	2954	7295	50	0.484
SFU3204-4	32	4	2.381	50	80	12	44	65	62	9	M6	1x4	1296	4838	51	0.658
SFU3205-4 ☆		5	3.175	50	80	12	52	65	62	9	M6	1x4	1922	6343	54	0.588
SFU3210-3/4 ☆		10	6.35	50	80	12	74/90	65	62	9	M6	1x3/4	4805	12208	61	0.832
SFU4005-3/4	40	5	3.175	63	93	14	45/55	78	70	9	M8	1x4	2110	7988	63	0.97
SFU4010-3/4 ☆		10	6.35	63	93	14	74/93	78	70	9	M8	1x3/4	5399	15500	73	1.246
SFU5005-4	50	5	3.175	75	110	16	55	93	85	11	M6	1x4	6004	19614	85	1.82
SFU5010-4 ☆		10	6.35	75	110	16	93	93	85	11	M8	1x4	6004	19614	85	1.82
SFU05020-4 ☆		20	7.144	75	110	16	138	93	85	11	M8	1x4	7142	22588	94	2.674
SFU6310-4 ☆	63	10	6.35	90	125	18	98	108	95	11	M8	1x4	6719	25358	99	2.576
SFU6320-4		20	9.525	95	135	20	149	115	100	13.5	M8	1x4	11444	36653	112	4.888
SFU8010-4 ☆	80	10	6.35	105	145	20	98	125	110	13.5	M8	1x4	7346	31953	109	9.016
SFU8020-4		20	9.525	125	165	25	154	145	130	13.5	M8	1x4	12911	47747	138	9.016
SFU10020-4	100	20	9.525	150	202	30	180	170	155	17.5	M8	1x4	14303	60698	162	10

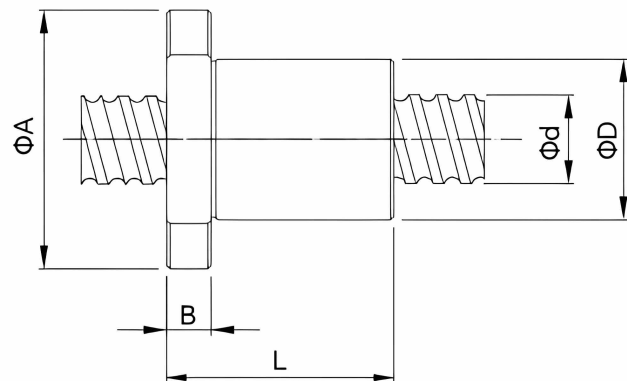
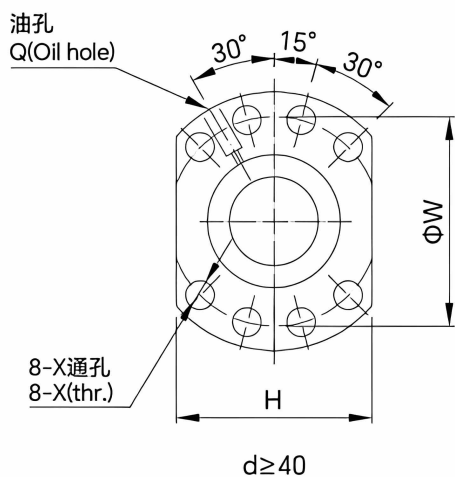
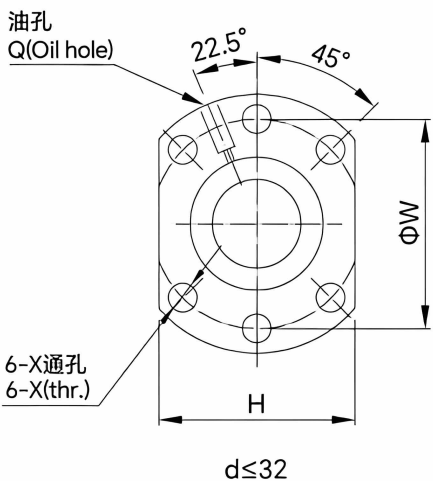
○注：有☆记号可制作左螺纹 Note: ☆ Left Helix Available

0726.175.111 COMPONENTE PNEUMATICE ȘI HIDRAULICE
0721.228.444 COMPONENTE ELECTRICE
0754.075.656 COMPONENTE MECANICE

AUTOMATIC INVEST
ROMANIA, IAȘI,
CALEA CHIȘINĂULUI, NR. 29

WWW.AUTOMATIC.RO
EMAIL
VANZARI@AUTOMATIC.RO

强防尘 SFNU 系列 Strong Dust-proof SFNU Series ATM



单位 Unit : mm

型号 Model No.	轴径 d	导程 l	珠径 Da	螺母尺寸 Dimension									动静 额定负荷 Load Rating		刚性 Rigidity	重量 Weight
				D	A	B	L	W	H	X	Q	n	Ca(kgf)	Coa(kgf)	Kgf/μm	Kg
SFNU1204-4 ☆	12	4	2.381	24	40	10	40	32	30	4.5	M6	1x4	902	1884	26	0.138
SFNU1605-4 ☆	16	5	3.175	28	48	10	45	38	40	5.5	M6	1x4	1380	3052	32	0.19
SFNU1610-3 ☆		10	3.175	28	48	10	57	38	40	5.5	M6	1x3	1103	2401	26	0.22
SFNU2005-4 ☆	20	5	3.175	36	58	10	51	47	44	6.6	M6	1x4	1551	3875	39	0.316
SFNU2505-4 ☆	25	5	3.175	40	62	10	51	51	48	6.6	M6	1x4	1724	4904	45	0.35
SFNU2510-4 ☆		10	4.762	40	62	12	80	51	48	6.6	M6	1x4	2954	7295	50	0.484
SFNU3205-4 ☆	32	5	3.175	50	80	12	52	65	62	9	M6	1x4	1922	6343	54	0.588
SFNU3210-4 ☆		10	6.350	50	80	12	85	65	62	9	M6	1x4	4805	12208	61	0.832
SFNU4005-4 ☆	40	5	3.175	63	93	14	55	78	70	9	M8	1x4	2110	7988	63	0.97
SFNU4010-4 ☆		10	6.350	63	93	14	88	78	70	9	M8	1x4	5399	15500	73	1.246
SFNU5010-4 ☆	50	10	6.350	75	110	16	88	93	85	11	M8	1x4	6004	19614	85	1.82
SFNU6310-4 ☆	63	10	6.350	90	125	18	93	108	95	11	M8	1x4	6719	25358	99	2.576
SFNU8010-4	80	10	6.350	105	145	20	93	125	110	13.5	M8	1x4	7346	31953	109	3.1



注：有☆记号可制作左螺纹 Note: ☆ Left Helix Available



0726.175.111
0721.228.444
0754.075.656

COMPONENTE PNEUMATICE ȘI HIDRAULICE
COMPONENTE ELECTRICE
COMPONENTE MECANICE



AUTOMATIC INVEST
ROMANIA, IAȘI,
CALEA CHIȘINĂULUI, NR. 29



WWW.AUTOMATIC.RO
EMAIL
VANZARI@AUTOMATIC.RO