



Relee Termice MT

Thermal Overload Relay

MT-12

2H

0.1

Frame size

Relay version

Relay setting current

12	12AF
32	32AF
63	63AF
95	95AF
⋮	⋮
800	800AF

2H	Non-differential (2-heater)
3H	Non-differential (3-heater)
3K	Differential
3D	Class 20

0.1	0.1A
⋮	⋮
800	800A



0726.175.111 | COMPONENTE PNEUMATICE ȘI HIDRAULICE
0721.228.444 | COMPONENTE ELECTRICE
0754.075.656 | COMPONENTE MECANICE



AUTOMATIC INVEST
ROMANIA, IAȘI,
CALEA CHIȘINĂULUI, NR. 29



WWW.AUTOMATIC.RO
EMAIL
VANZARI@AUTOMATIC.RO

MT type
Thermal Overload Relays

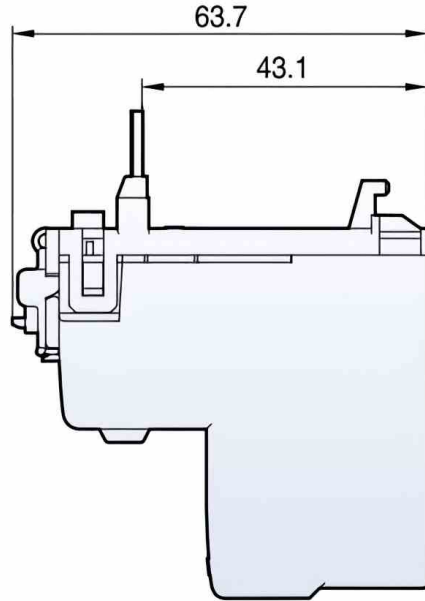
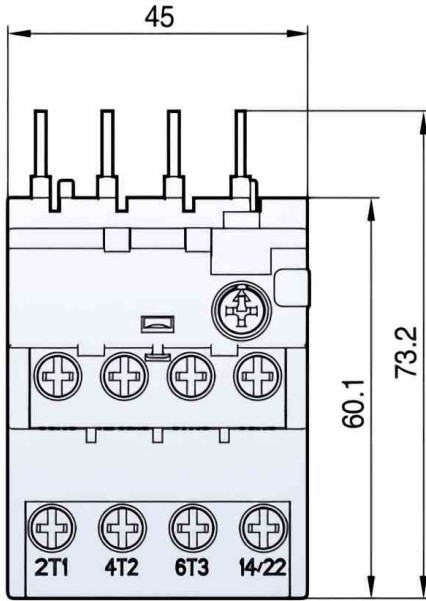


Type	MT-12/□	MT-32/□
Screws clamp terminals	•	•
Rated operational voltage, Ue	690V	690V
Rated insulation voltage, Ui	690V	690V
Rated impulse withstand voltage, Uimp	6kV	6kV
Trip class	10A, 20	10A, 20
Setting range	0.1-18A	0.1-40A
Size and weight	0.1	0.17
Weight kg		
Size(W × H × D) mm	45 × 73.2 × 63.7	45 × 75 × 90

MT-12

Overload relay MT-12

Current range: 0.1~18A
Trip class: Class10, 20



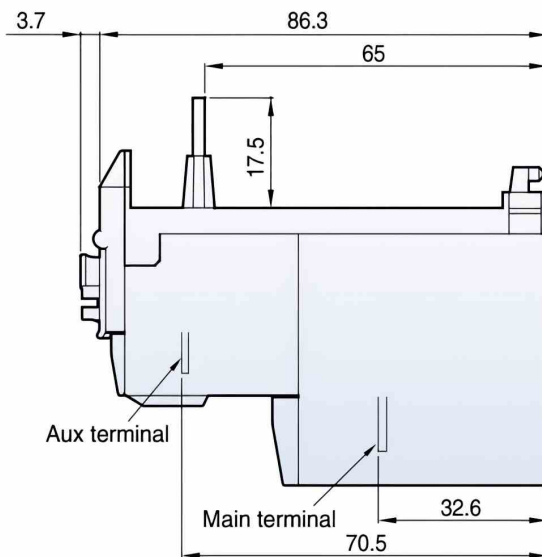
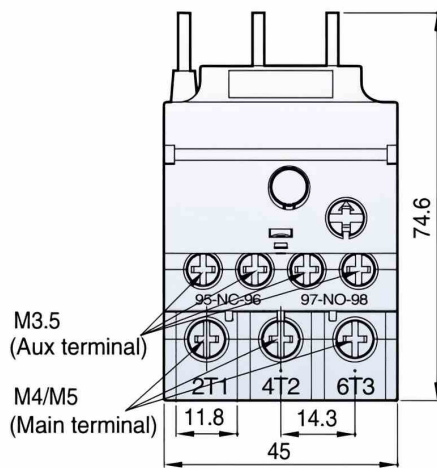
[mm]

100g

MT-32

Overload relay MT-32

Current range: 0.1~40A
Trip class: Class10, 20



167g



0726.175.111 | COMPONENTE PNEUMATICE ŞI HIDRAULICE
0721.228.444 | COMPONENTE ELECTRICE
0754.075.656 | COMPONENTE MECANICE



AUTOMATIC INVEST
ROMANIA, IAŞI,
CALEA CHIŞINĂULUI, NR. 29



WWW.AUTOMATIC.RO
EMAIL
VANZARI@AUTOMATIC.RO

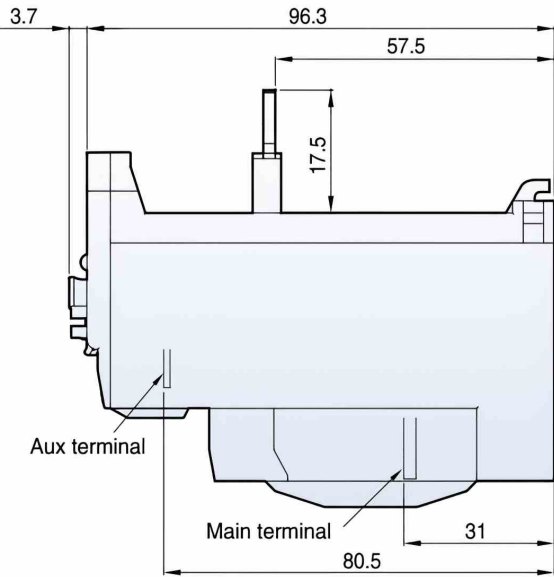
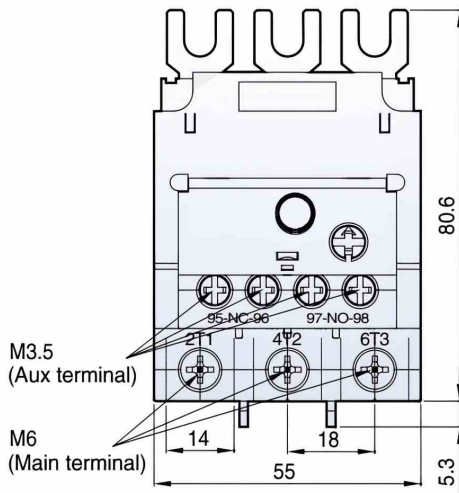


Type	MT-63/□	MT-95/□
Screws clamp terminals	•	•
Rated operational voltage, Ue	690V	690V
Rated insulation voltage, Ui	690V	690V
Rated impulse withstand voltage, Uimp	6kV	6kV
Trip class	10A, 20	10A, 20
Setting range	4-65A	7-100A
Size and weight	Weight kg 0.31/0.33 Size(W×H×D) mm 55×81×100	Weight kg 0.48/0.5 Size(W×H×D) mm 70×97×110

MT-63

Overload relay MT-63

Current range: 4-65A
Trip class: Class10, 20

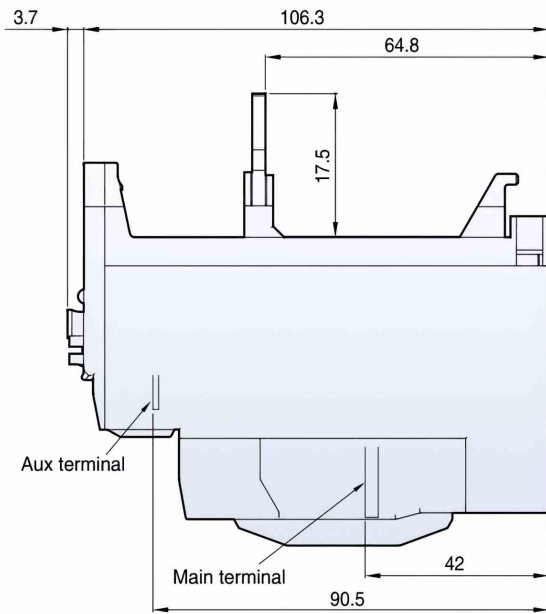
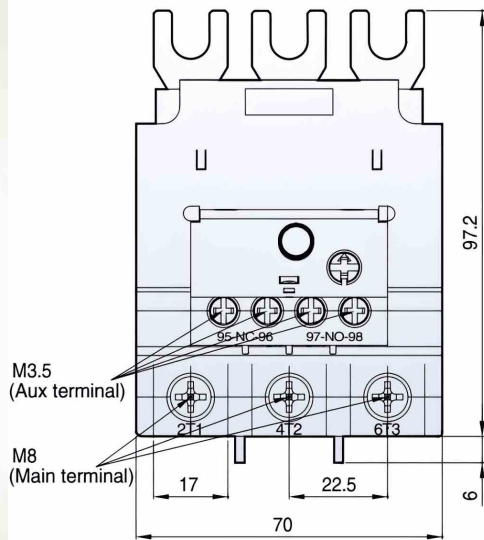


[mm]

MT-95

Overload relay MT-95

Current range: 7-100A
Trip class: Class10, 20



303g

474g



0726.175.111 | COMPONENTE PNEUMATICE ŞI HIDRAULICE
0721.228.444 | COMPONENTE ELECTRICE
0754.075.656 | COMPONENTE MECANICE



AUTOMATIC INVEST
ROMANIA, IAŞI,
CALEA CHIŞINĂULUI, NR. 29



WWW.AUTOMATIC.RO
EMAIL
VANZARI@AUTOMATIC.RO

MT type
Thermal Overload Relays



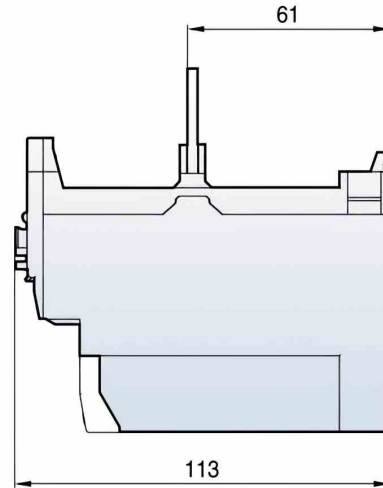
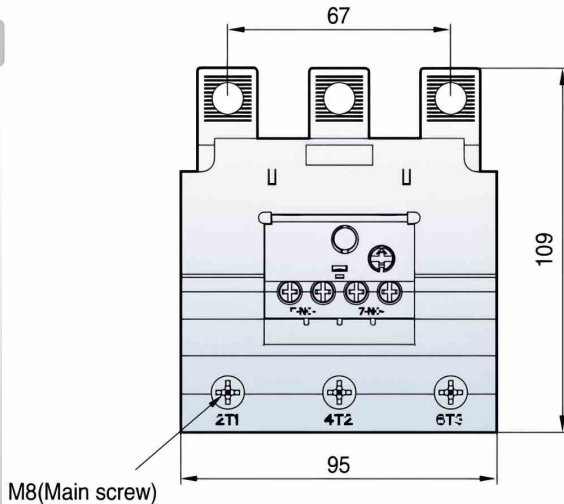
Type	MT-150/□	MT-225/□
Screws clamp terminals	●	●
Rated operational voltage, Ue	690V	690V
Rated insulation voltage, Ui	690V	690V
Rated impulse withstand voltage, Uimp	6kV	6kV
Trip class	10A, 20	10A, 20
Setting range	34-150A	65-240A
Size and weight	Weight: 0.67 kg Size(W x H x D): 95 x 109 x 113	Weight: 2.5 kg Size(W x H x D): 147 x 141 x 184

[mm]

MT-150

Overload relay MT-150

Current range: 34-150A
Trip class: Class10, 20

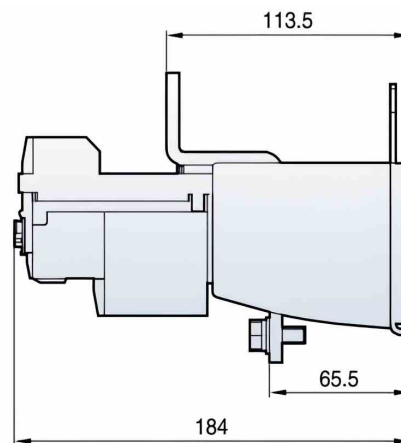
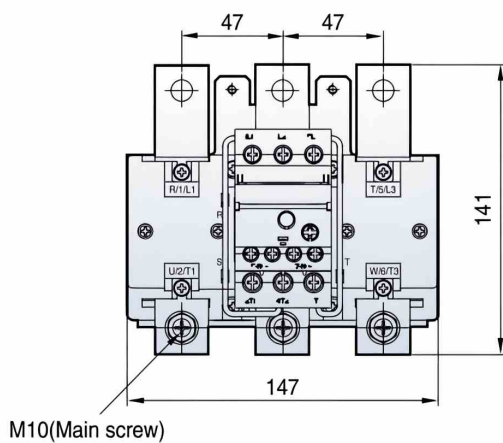


0.7kg

MT-225

Overload relay MT-225

Current range: 65-240A
Trip class: Class10, 20



2.5kg



0726.175.111
0721.228.444
0754.075.656

COMPONENTE PNEUMATICE ŞI HIDRAULICE
COMPONENTE ELECTRICE
COMPONENTE MECANICE



AUTOMATIC INVEST
ROMANIA, IAŞI,
CALEA CHIŞINĂULUI, NR. 29



WWW.AUTOMATIC.RO
EMAIL
VANZARI@AUTOMATIC.RO



MT-400

690V
690V
6kV
10A, 20
85-400A
2.6

151 × 171 × 198



MT-800

690V
690V
6kV
10A, 20
200-800A
11.5

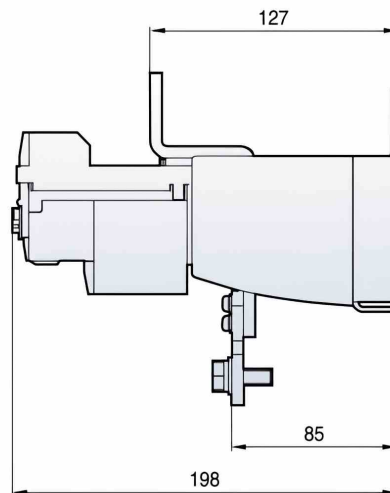
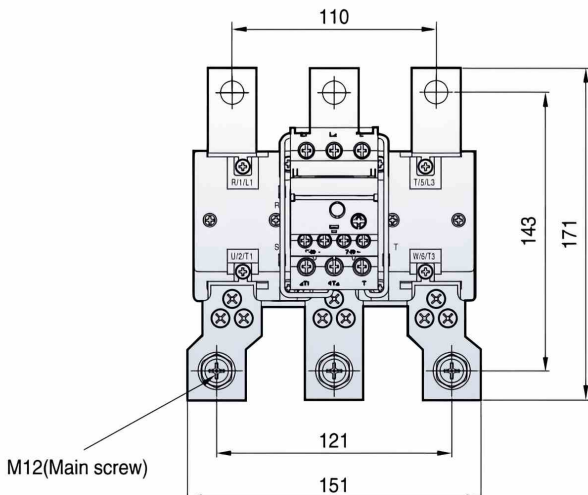
360 × 530 × 212

[mm]

MT-400

Overload relay MT-400

Current range: 85-400A
Trip class: Class10, 20

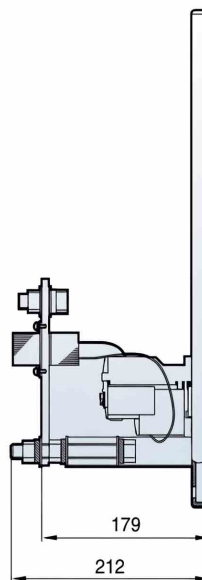
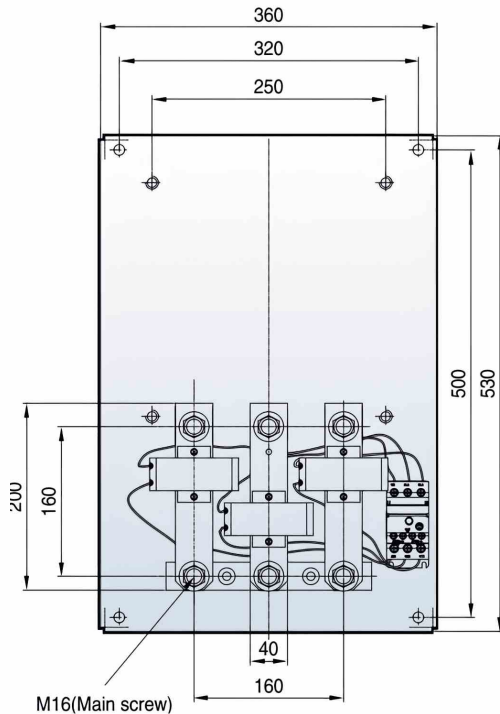


2.6kg

MT-800

Overload relay MT-800

Current range: 200-800A
Trip class: Class10, 20



11.5kg



0726.175.111
0721.228.444
0754.075.656

COMPONENTE PNEUMATICE ŞI HIDRAULICE
COMPONENTE ELECTRICE
COMPONENTE MECANICE



AUTOMATIC INVEST
ROMANIA, IAŞI,
CALEA CHIŞINĂULUI, NR. 29



WWW.AUTOMATIC.RO
EMAIL
VANZARI@AUTOMATIC.RO